

Inhoudsopgave

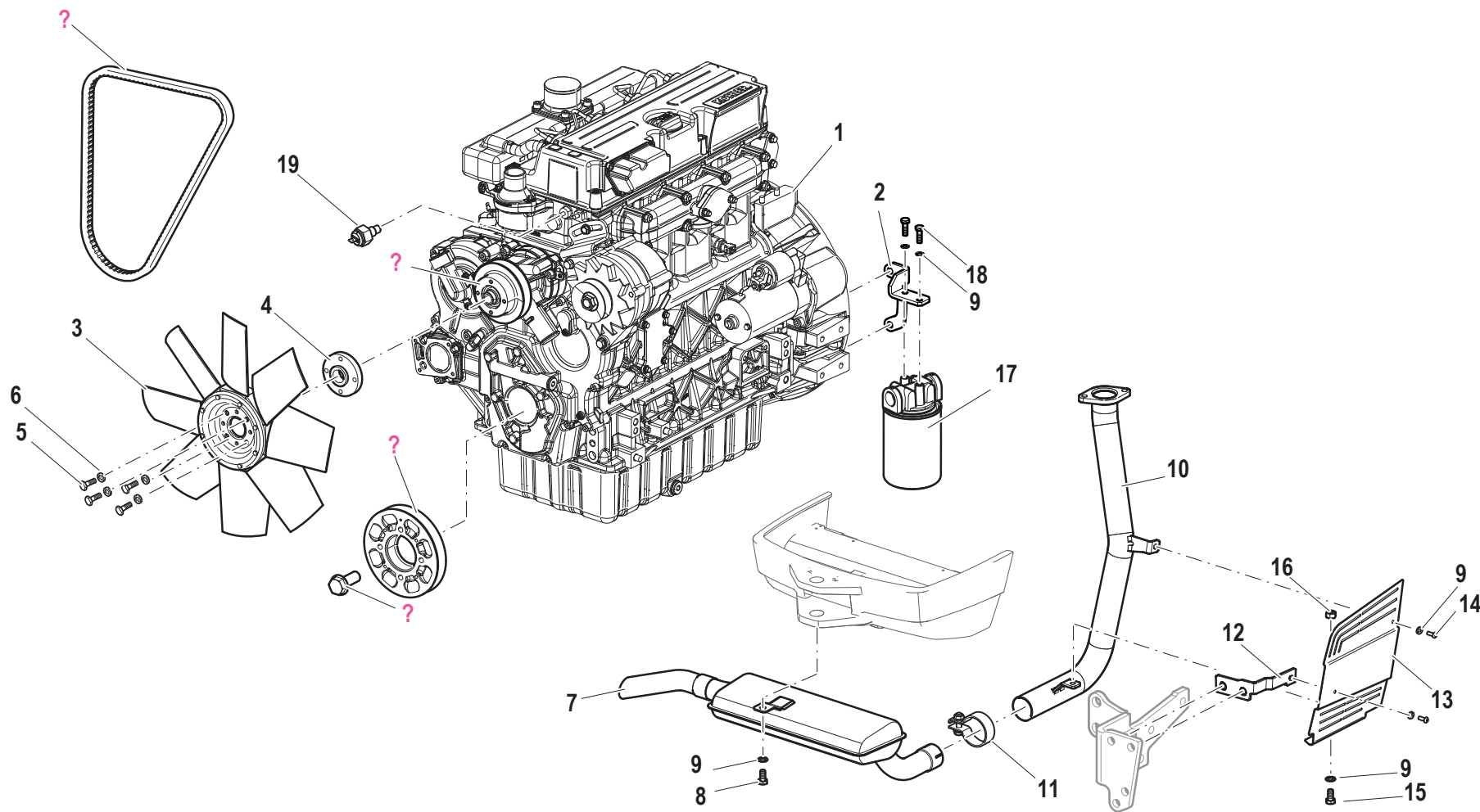
Achteras Aandrijving	74
Achteras Huis	52
Bumper & Motorkapsluiting	18
Dashbord & Stuur	38
Differentieel Slot	80
Driepunt Standaard	103
Elektrische Delen Achter	92
Elektrische Delen Voor	88
Elektrische Motor Delen	90
Gaskabels Hand & Voetgas	8
Hef Deksel & Cilinders	97
Hydrauliek Stuur	94
Hydrauliek Systeem	101
Hydrauliek Ventielen	99
Index	107
Koppeling	56
Koppeling Pedaal	58
LuchtfILTER	14
Middenstuk Knik & Koppelins Plaat	48
Middenstuk platen en voetsteunen	28
Motor 60 CV	6
Motorkap	20
PTO Koppelbus	86
PTO & Tandwielen + Koppeling	82
Radiator & Slangen	10
Remmen	60
Rem Pedalen & Handrem	62
Schakelpook Rubbers & Zitting Plaat	42
Schakelpoken & Gaffels	72
Spatschermen Achter	32
Spatschermen Voor & Rolbeugel	24
Stickers	36
Tandwielen	64
Tank	16
Vooras Aandrijving	54
Vooras Huis	46
Wiel Eindaandrijving	76
Wielen	105
Zitting	44



Code	Description	Notes
A.01.01.L40019_0	ENGINE (60 CV)	Power: 60 CV
A.02.01.L40019_0	CONTROL LEVER	
A.03.01.L40019_0	RADIATOR	
A.04.01.L40019_0	AIR FILTER	
A.05.01.L40019_0	FUEL TANK	
B.01.01.L40019_0	FRONT SUPPORT	
B.02.01.L40019_0	BONNET	
B.03.01.L40019_0	FRONT MODGUARDS	
B.04.01.L40019_0	BOARDS	
B.05.01.L40019_0	REAR MODGUARDS	
B.06.01.L40019_0	PLATES AND STICKERS	
B.07.01.L40019_0	STEERING WHEEL	
B.08.01.L40019_0	SEAT SUPPORT / GEAR LEVERS COVER	
B.09.01.L40019_0	SEAT	
C.01.01.L40019_0	FRONT AXLE	
C.02.01.L40019_0	CENTRAL SECTION	
C.03.01.L40019_0	REAR AXLE	
D.01.01.L40019_0	FRONT TRANSMISSION	
D.02.01.L40019_0	CLUTCH	
D.03.01.L40019_0	CLUTCH CONTROLS	
D.04.01.L40019_0	BRAKES	
D.05.01.L40019_0	BRAKE CONTROL UNITS	
D.06.01.L40019_0	GEARS MAIN SHAFT / GEARS	
D.07.01.L40019_0	GEARS TRANSMISSION SHAFT / GEARS	
D.08.01.L40019_0	COUNTERSHAFT AND CORRESPONDING GEARS	
D.09.01.L40019_0	CHANGE GEAR CONTROLS	
D.10.01.L40019_0	REAR TRANSMISSION	
D.11.01.L40019_0	FRONT REDUCTION	
D.11.02.L40019_0	REAR REDUCTION	
D.12.01.L40019_0	DIFFERENTIAL GEAR LOCK (WITH ELECTROHYDRAULIC CONTROL)	
D.13.01.L40019_0	POWER TAKE-OFF WITH INDEPENDENT CLUTCH	
D.13.02.L40019_0	INDIPENDENT CLUTCH - POWER TAKE-OFF CONTROLS	
E.01.01.L40019_0	FRONT ELECTRICAL SYSTEM	
E.02.01.L40019_0	ENGINE ELECTRIC SYSTEM	



Code	Description	Notes
E.03.01.L40019_0	REAR ELECTRICAL SYSTEM	
F.01.01.L40019_0	HYDR. POWER STEERING	
F.02.01.L40019_0	P.T.O. WITH INDEPENDENT CLUTCH - DIFFERENTIAL GEAR LOCK WITH ELECTROHYDRAULIC CO	
L.01.01.L40019_0	RAISE/LOWER LIFT	
L.02.01.L40019_0	HYDRAULIC SYSTEM	
L.02.02.L40019_0	HYDRAULIC SYSTEM	
T.01.01.L40019_0	3 POINTS ATTACHMENT (BASIC VERSION)	
W.01.01.L40019_0	WHEELS 7.50-16	



Pos.	Code	Q.ty	Description	Notes
1	41AE0000	1	MOT.KOH.KDI2504M/26 ED2D75C1-0	
2	561A2954Z	1	STAF.FIX FILT.ASP.K60 V65 ZNT	
3	581A3216	1	VENTOLA MOTORE D.380-25°	
4	561A3181	1	DIST.VENTOLA-PULEGGIA L60	
5	31112086	4	SCREW TE M6X30 UNI 5737 8G	
6	F0843570000	7	WASHER 6	
7	581A2213N	1	SIL.SCARICO K60-L60(A2213)NERO	
8	31111151	1	SCREW TE M8X16 UNI 5739 8G	
9	F0843643060	3	WASHER 8	
10	590A2784N	1	TUBO SCARICO(A2784)L60-NERO-	
11	581A2805	1	COLLARE SILENZIATORE BeB F47	
12	590A2807	1	STAFFA SUPER.PROT.LAT.K60	
13	590A2810N	1	PROT.COMPR/SCAR.K60-L60-NERA-	
14	F0862479040	2	SCREW M6X20 7380	
15	31112090	1	SCREW TE M6X16 UNI 5739 8G	
16	31211060	3	NUT M6	
17	58175014	1	FILTER	
18	31112150	2	SCREW TE M8X20 UNI 5739 8G	
19	581A2889	1	TEMPERATURE SENSOR (AA020815)	

SERIAL

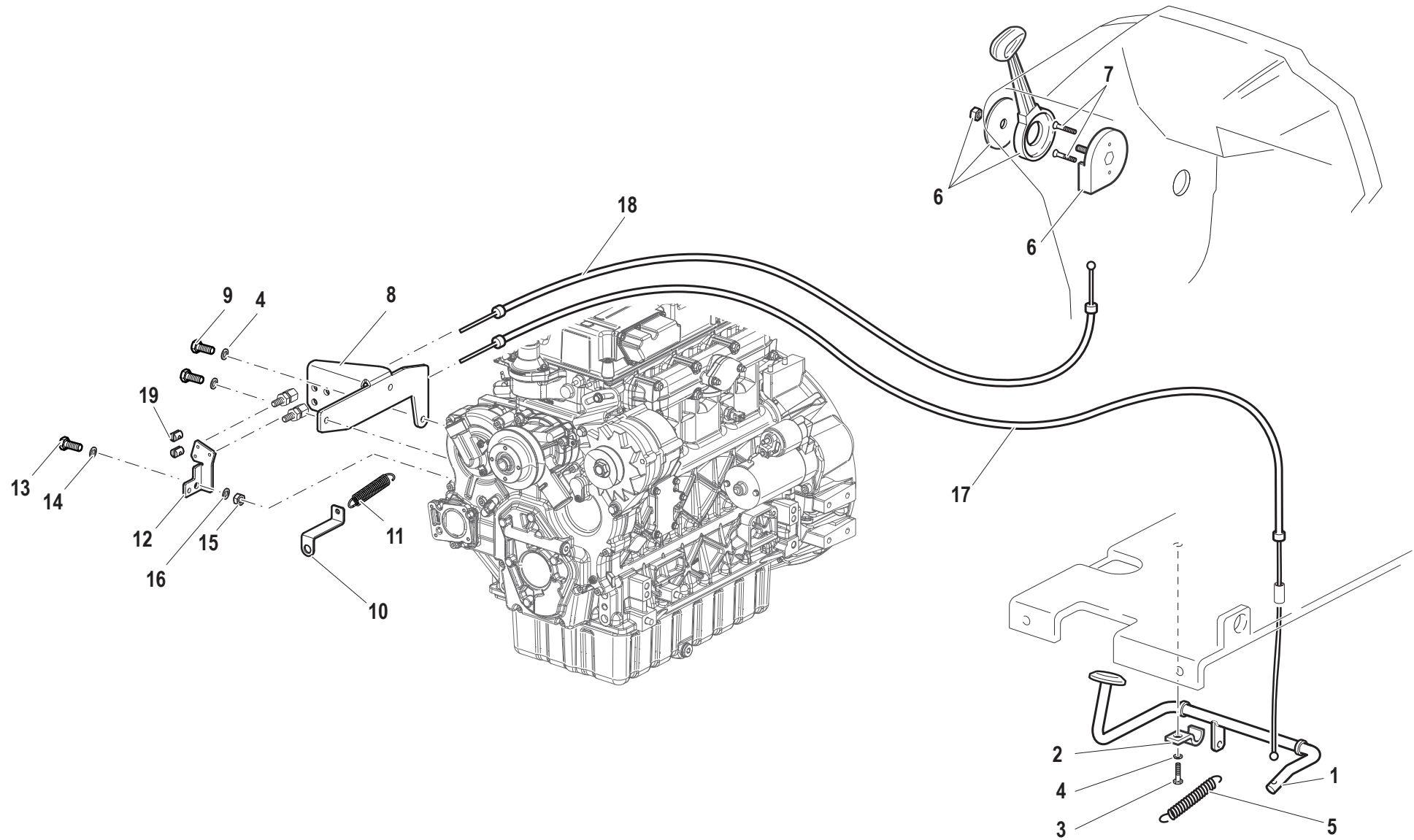
ENGINE (60 CV)

Power: 60 CV

CODE REV

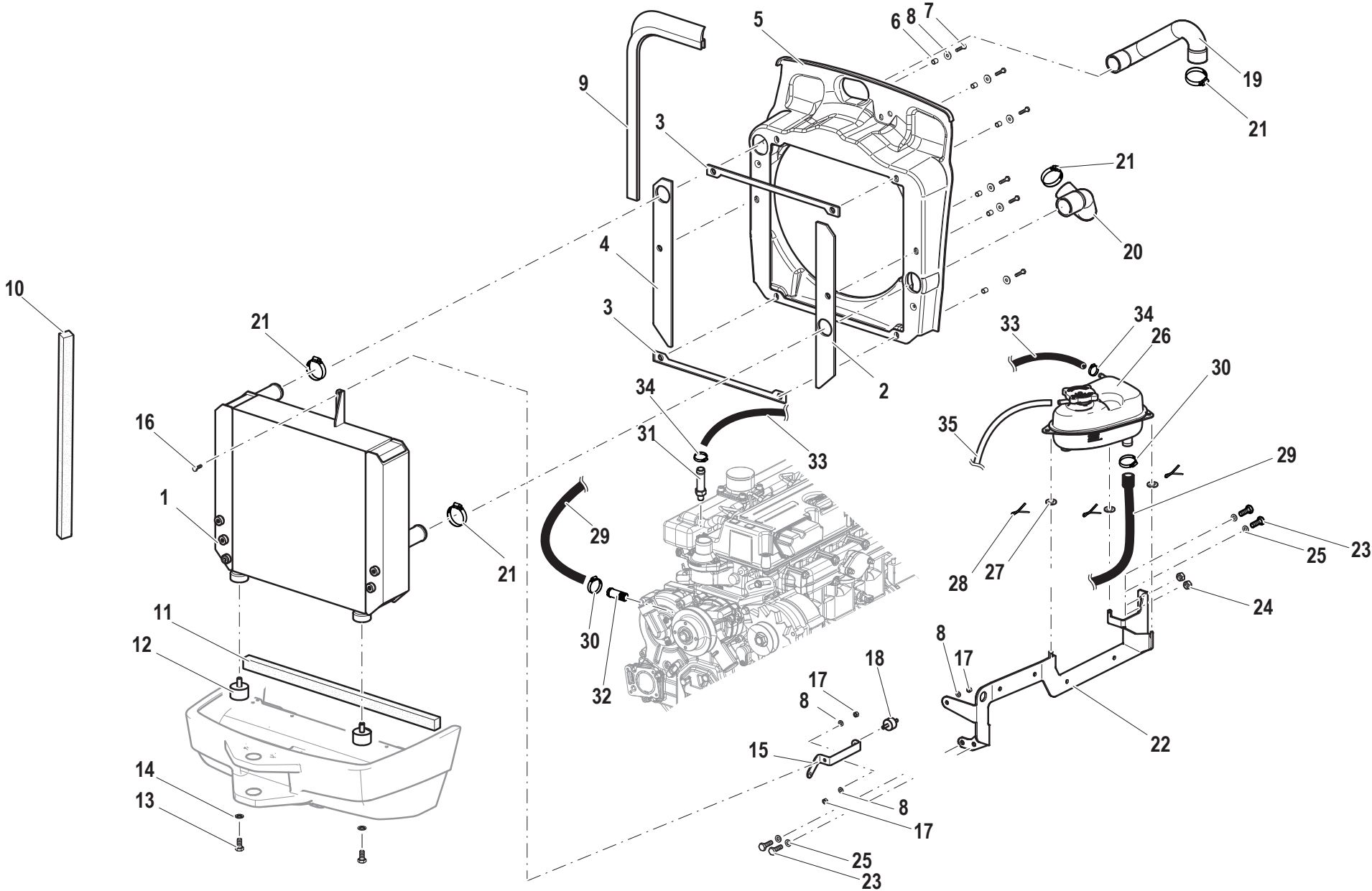
A.01.01.L40019_0

CONTROL LEVER



Pos.	Code	Q.ty	Description	Notes
1	59071769	1	ACCEL. PEDAL	
2	56071768	2	PLATE	
3	31112148	2	SCREW TE M8X18 UNI 5739 8G	
4	F0843643060	4	WASHER 8	
5	F0831125000	1	SPRING	
6	P23810600000	1	ACCELERATOR	
7	31132562	2	SCREW TSVEI M6X16 UNI 5933	
8	561A3246Z	1	STAFFA FIX CAVI AC.E POMPA ZNT	
9	31112090	2	SCREW TE M6X16 UNI 5739 8G	
10	561A3248Z	1	STAFFA PER MOLLA RICH.ACC. ZNT	
11	580A0495	1	RESTORING SPRING	
12	561A3247Z	1	PROLUNGA LEVA ACCEL.L60 ZNT	
13	31112093	1	SCREW TE M6X20 UNI 5739 8G	
14	31411064	1	WASHER 6,4x12,5	
15	31211060	1	NUT M6	
16	F0843570000	1	WASHER 6	
17	580A3266	1	CAVO COM.PEDALE ACCEL.L60-MONO	
18	580A3267	1	CAVO COM.ACCEL.MANO L60-MONO-	
19	561A3106	2	MORSETTO CAVO ACCEL.K60	

RADIATOR



Pos.	Code	Q.ty	Description	Notes
1	581A2199	1	RADIATORE 5 RANGHI K60-L60	
2	581A2789	1	GUARN.SX RADIAT-CONV.K60	
3	581A2790	2	GUARN.SUP-INF.RADIAT-CONV.K60	
4	581A2791	1	GUARN.DX RADIAT-CONV.K60	
5	573A2735	1	CONVOGLIATORE COMPLETO L60	
6	561A2972	6	DIST.D.10x7/11 ZNT/B	
7	31112089	6	SCREW TE M6X25 UNI 5739 8G	
8	F0843570000	9	WASHER 6	
9	F0256809050	0.87	GASKET	
10	573A0226	1	COOLER SPONGY GASKET	
11	573A0622	1	SPUGNA TENUTA RADIATORE 55-65	
12	581A2792	2	SIL/BL 40x25 MF M10-16 45SH/A	
13	31112210	2	SCREW TE M10X20 UNI 5739	
14	F0843755000	2	WASHER 10	
15	561A2971	1	STAFFA FISS.AVV.ACUSTICO L60	
16	31112093	1	SCREW TE M6X20 UNI 5739 8G	
17	31211060	3	NUT M6	
18	30010250	1	SILENT BLOCK	
19	580A2754	1	MANICOTTO USC.RADIATORE L60	
20	580A2753	1	MANICOTTO ENTR.RADIATORE L60	
21	30021150	4	CLAMP 35-50 SX9CW1032050	
22	561A3238	1	STAFFA SUPP.VASCHETTA L60 *	
23	31111151	4	SCREW TE M8X16 UNI 5739 8G	
24	31211080	2	NUT M8	
25	F0843643060	4	WASHER 8	
26	58093053	1	CUP	
27	F0824022000	3	SPECIAL GASKET D.8,4X12/1	
28	F0810510000	3	SPLIT PIN A2,0X20 UNI 1336	
29	580A2800	1	TUBO VASCH-POMPA ACQUA L60	
30	30021125	2	CLAMP 16-27 SX9CW1016027	
31	561A3318	1	PORTAGOMMA D.16-M16x1,5 ZNT/B	
32	561A3292	1	PORTAGOMMA D.8-M6 ZNT/B	
33	58072951	1	PIPE	
34	30021116	2	CLAMP 5,6-16 W2	

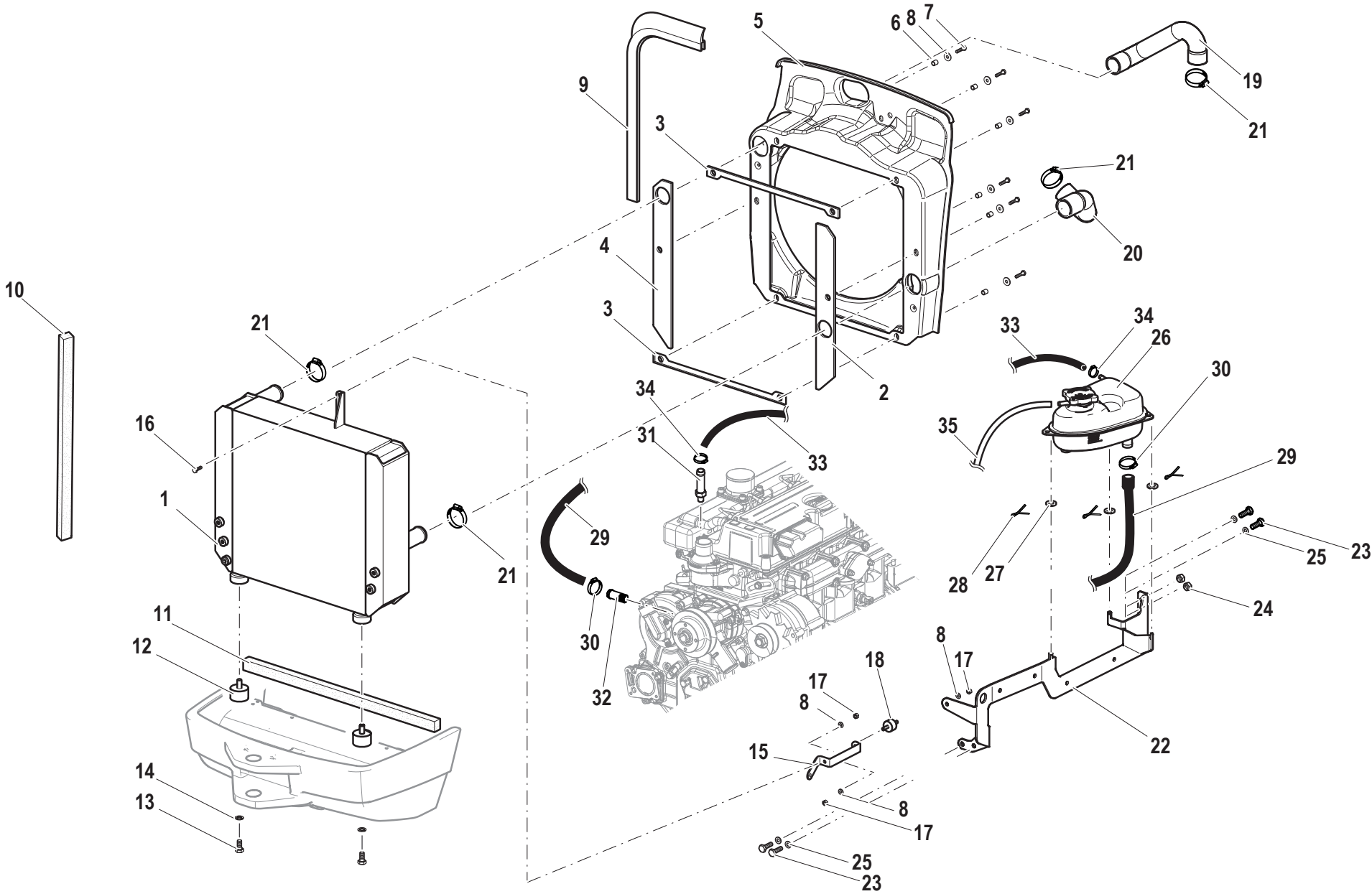
SERIAL

RADIATOR

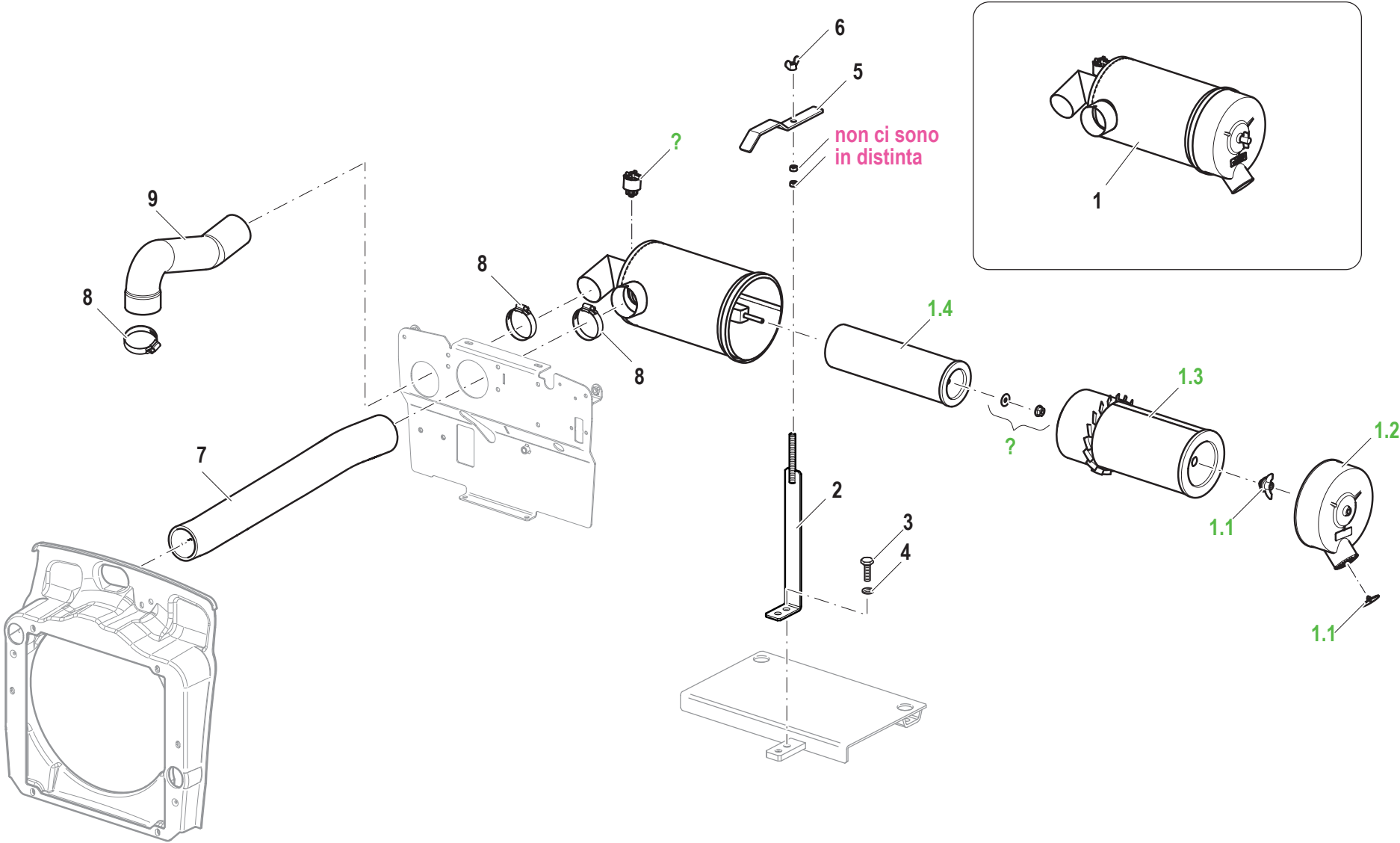
CODE REV

A.03.01.L40019_0

RADIATOR



Pos.	Code	Q.ty	Description	Notes
35	F0256112009	0.7	PIPE	



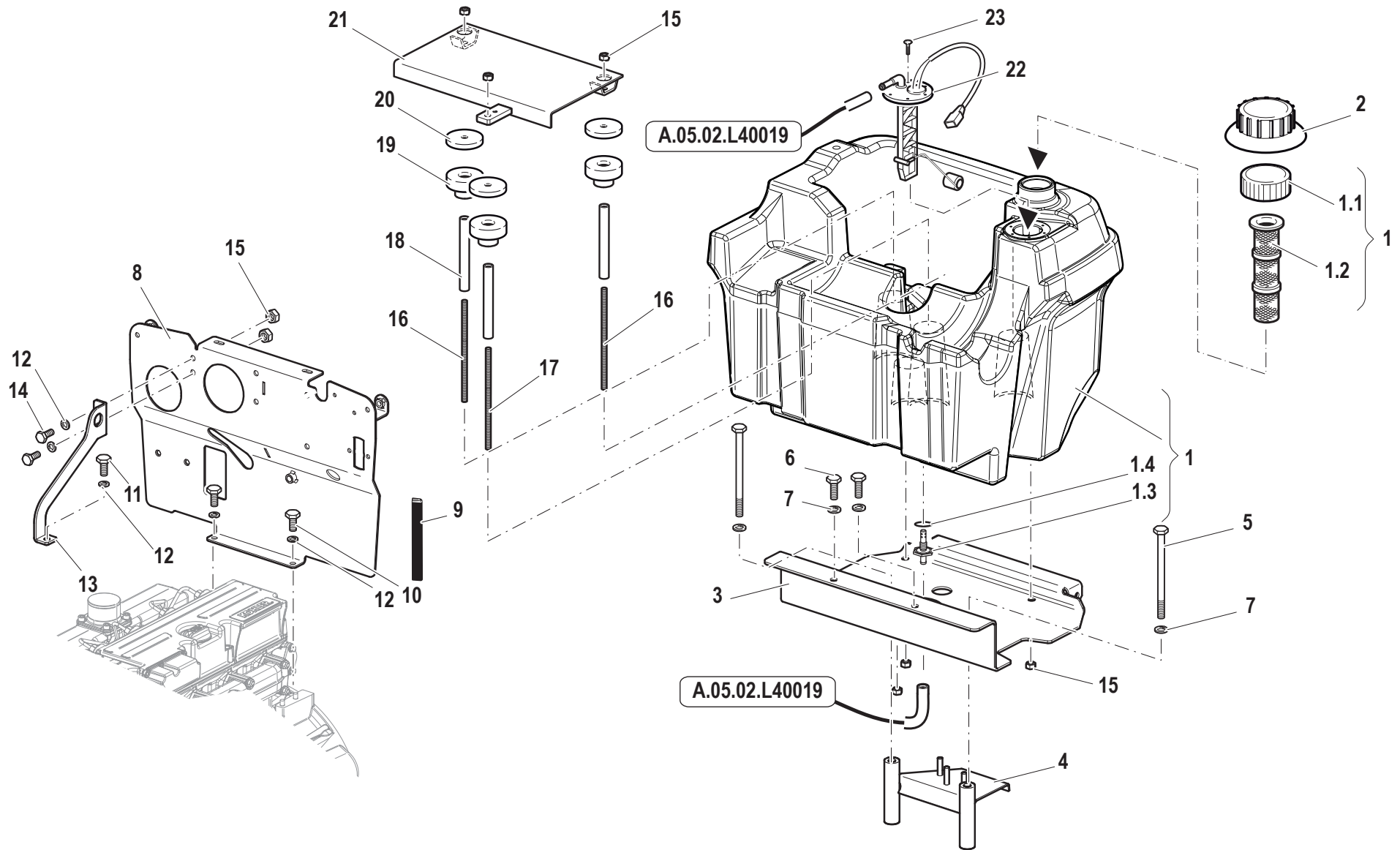
Pos.	Code	Q.ty	Description	Notes
1	581A2235	1	FILTRO ARIA FCK6-18186-C9	
2	590A0080	1	ROD	
3	31112149	1	SCREW TE M8X12 UNI 5739 8G	
4	F0843643060	1	WASHER 8	
5	561A0081	1	FIXING BRACKET	
6	31200501	1	NUT M8	
7	58076753	1	SUCTION PIPE	
8	30021180	3	CLAMP 60-80 SX9CW1060080	
9	580A2752	1	MANICOTTO ASPIRAZIONE L60	

SERIAL

AIR FILTER

CODE REV

A.04.01.L40019_0



Pos.	Code	Q.ty	Description	Notes
1	552A2272	1	SERB.CARBURANTE V65-L60 * mr	
2	57371900	1	LINING	
3	590A2945F	1	SUPPORTO SERBATOIO V65 CATAF.*	
4	590A2942	1	STAFFA FIX.SUPP.SERBAT.V65-L60	
5	31112224	2	SCREW TE M10X130 UNI 5737	
6	31112210	2	SCREW TE M10X20 UNI 5739	
7	F0843755000	4	WASHER 10	
8	590A3388	1	PARAT.SERBATOIO MOTORE L60	
9	F0256808000	0.26	FLAT BAND	
10	31112148	2	SCREW TE M8X18 UNI 5739 8G	
11	31112151	1	SCREW TE M8X25 UNI 5739 8G	
12	F0843643060	5	WASHER 8	
13	561A3237F	1	STAFFA FISS.PARATIA L60 CATAF.	
14	31111151	0	SCREW TE M8X16 UNI 5739 8G	
15	31211080	8	NUT M8	
16	56077608	2	ROD	
17	56174635	1	ROD	
18	56176696	3	SPACER D.14x9/155,5	
19	58076752	3	STOPPER	
20	56176814	3	SPACER D.55x8/4	
21	59076685F	1	SUPP.BATT.75-95-V65-L60-CATAF.	
22	58170238	1	CONTROL	
23	F0861867050	6	SCREW M4,2X19 DIN 7981	
1,1000000	F0849500001	1	TANK COVER	
1,2000000	F0849500002	1	FILTER	
1,2999999	571A3362	1	PORTA GOMMA D.8 M10x1(00611)	
1,3999999	38112024	1	O-RING 3081 (20,24X2,62)	

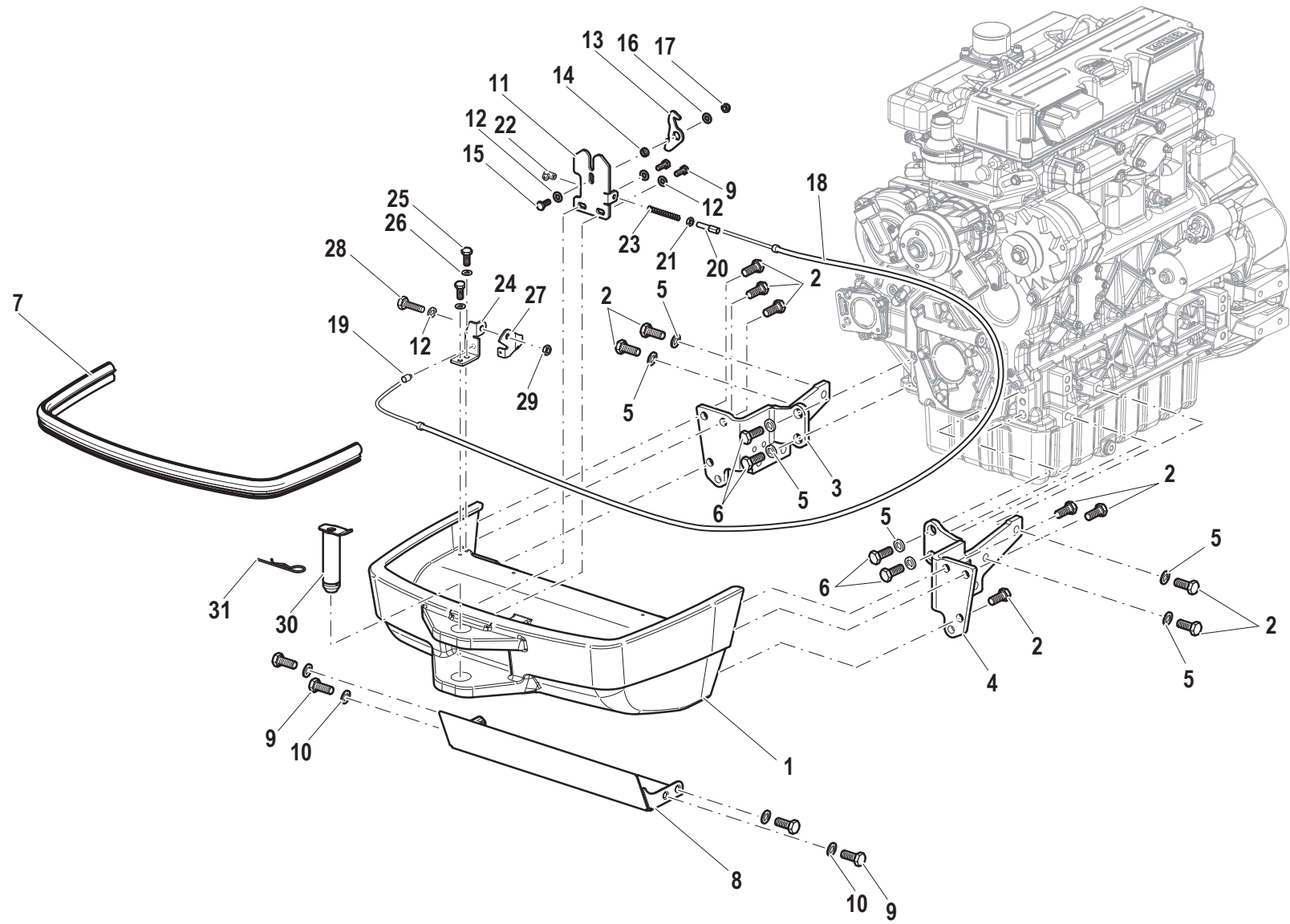
SERIAL

FUEL TANK

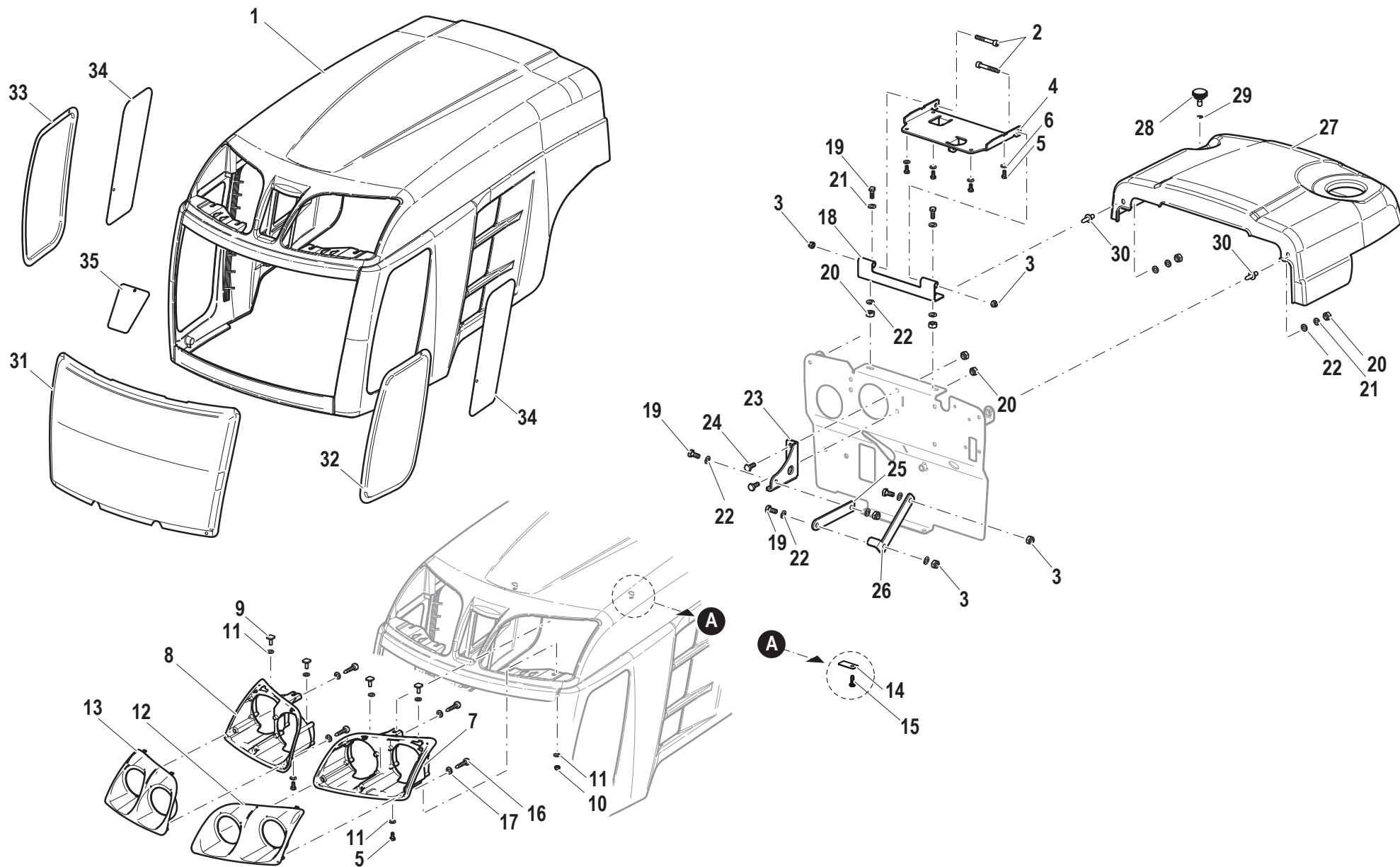
CODE REV

A.05.01.L40019_0

FRONT SUPPORT



Pos.	Code	Q.ty	Description	Notes
1	511A2198N	1	FRONT SUPPORT K60-L60(A2198) -BLACK-	
2	31112272	10	SCREW TE M12X30 UNI 5739	
3	590A2804	1	LONGH.DX SUPP.RADIATORE L60	
4	590A2803	1	LONGH.SX SUPP.RADIATORE L60	
5	F0843843060	8	WASHER 12	
6	31112300	4	VITE M16x1,5x35UNI57408.8ZNT/B	
7	28177274	1	GASCKET RIF.182400153.945	
8	590A3303F	1	PARATIA ANTICAL.INFER.L60 CAT	
9	31112150	6	SCREW TE M8X20 UNI 5739 8G	
10	F0843643060	4	WASHER 8	
11	56179625	1	FIXING BRACKET	
12	31411084	4	WASHER 8,4x17	
13	56174658	1	HOOD HOOK	
14	56174659	1	SPACER	
15	31112151	1	SCREW TE M8X25 UNI 5739 8G	
16	31411090	1	WASHER 9x24	
17	31241080	1	SELFLOCK NUT M8	
18	58074831	1	CABLE	
19	58177111	1	SLEEVE	
20	56177656	1	REGISTER	
21	31231080	1	NUT M8	
22	58048002	1	CLAMPING SCREW	
23	F0831065000	1	SPRING	
24	561A3069	1	SUPP.LEVA SGANCIO COF.K60-L60	
25	31112082	2	SCREW TE M6X12 UNI 5739 8G	
26	F0843570000	2	WASHER 6	
27	561A3070	1	LEVA SGANCIO COFANO K60-L60	
28	31112150	1	SCREW TE M8X20 UNI 5739 8G	
29	31241081	1	SELFLOCK NUT M8	
30	590A2721	1	PERNO TRAINO ANT.K30-K40-K60	
31	F0851497000	1	SPLIT PIN	



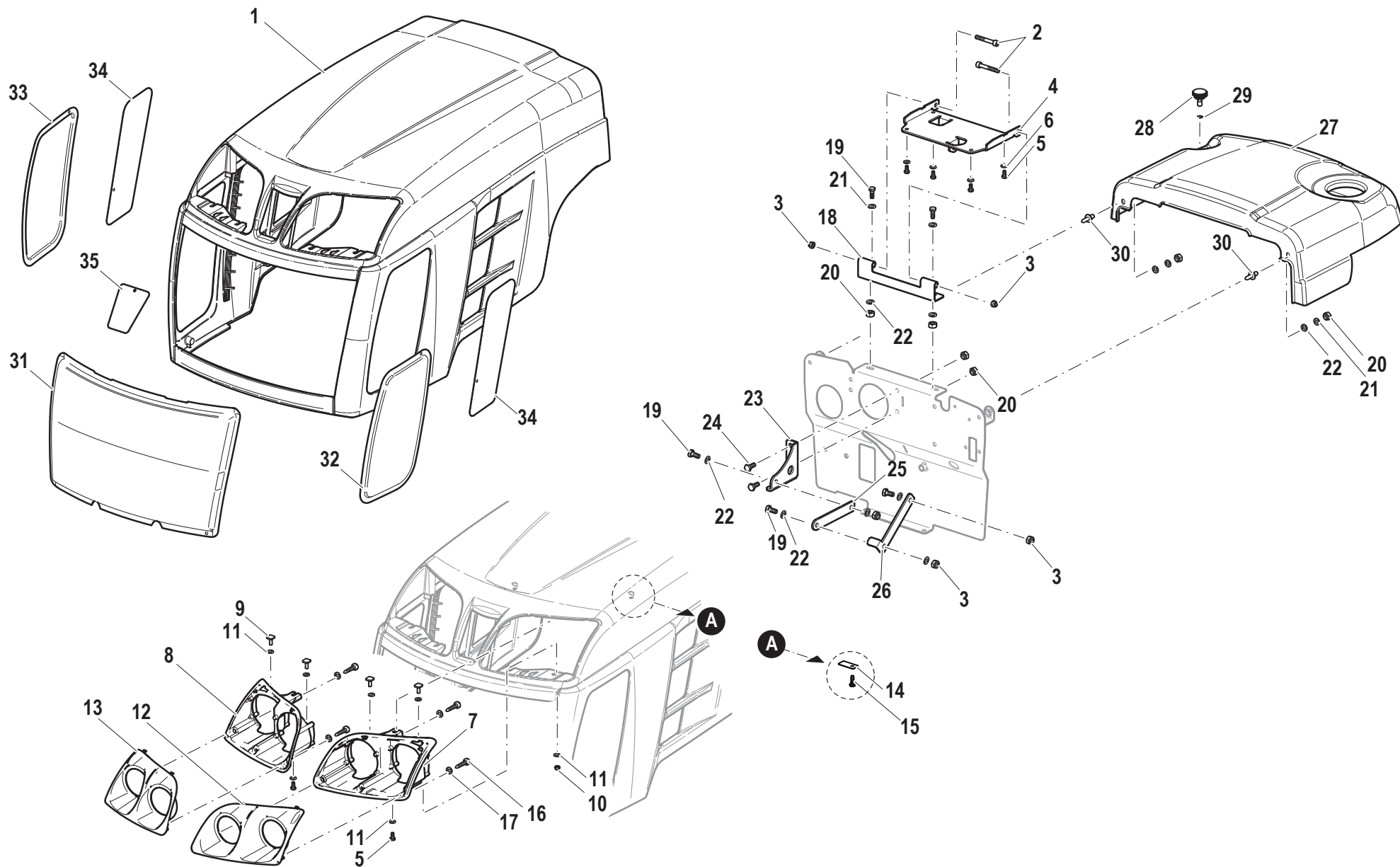
Pos.	Code	Q.ty	Description	Notes
1	590A2220V	1	COFANO FERRARI K60-L60 VERDE	
2	31152088	2	SCREW TCEI M8X55 UNI 5931	
3	31241081	5	SELFLOCK NUT M8	
4	561A2236	1	PIASTRA INCERN.COFAO K60-L60	
5	31111091	6	SCREW E M6X14 UNI 5739 8G	
6	F0843570000	4	WASHER 6	
7	55279802	1	FRONT GRILLE	
8	55279803	1	FRONT GRILLE	
9	58079929	4	SCREW	
10	F0814547000	4	SELFLOCK NUT M6	
11	31411064	6	WASHER 6,4x12,5	
12	55279866	1	COVER	
13	55279867	1	COVER	
14	F0861830100	4	RIBBED SCREW 3,9X13AB DIN7981	
15	56179997Z	4	CONTROL PLATE	
16	31510090	4	RIBBED SCREW	
17	31413042	4	WASHER 3,2	
18	561A0084	1	HOOD HINGE	
19	31112150	5	SCREW TE M8X20 UNI 5739 8G	
20	31211080	6	NUT M8	
21	F0843643060	4	WASHER 8	
22	31411084	9	WASHER 8,4x17	
23	561A3391F	1	SUPP.GINOCCHIO APERT.COFAO CA	
24	31111151	2	SCREW TE M8X16 UNI 5739 8G	
25	561A3233Z	1	CERNIERA INF.COFAO ZNT	
26	561A3232Z	1	CERNIERA SUP.COFAO ZNT	
27	573A3126V	1	COP.SERBAT(A3126)VERDE 6029	
28	56174835	1	KNOB	
29	35211060	1	SEEGER RING E 6 UNI 7434	
30	561A3068	2	PERNO CENTRAGGIO COPERTURE	
31	56079984	1	FRONT GRILL	
32	56079985	1	FRONT GRILL	
33	56079986	1	FRONT GRILL	
34	56079988	2	SIDE GRILL	

SERIAL

BONNET

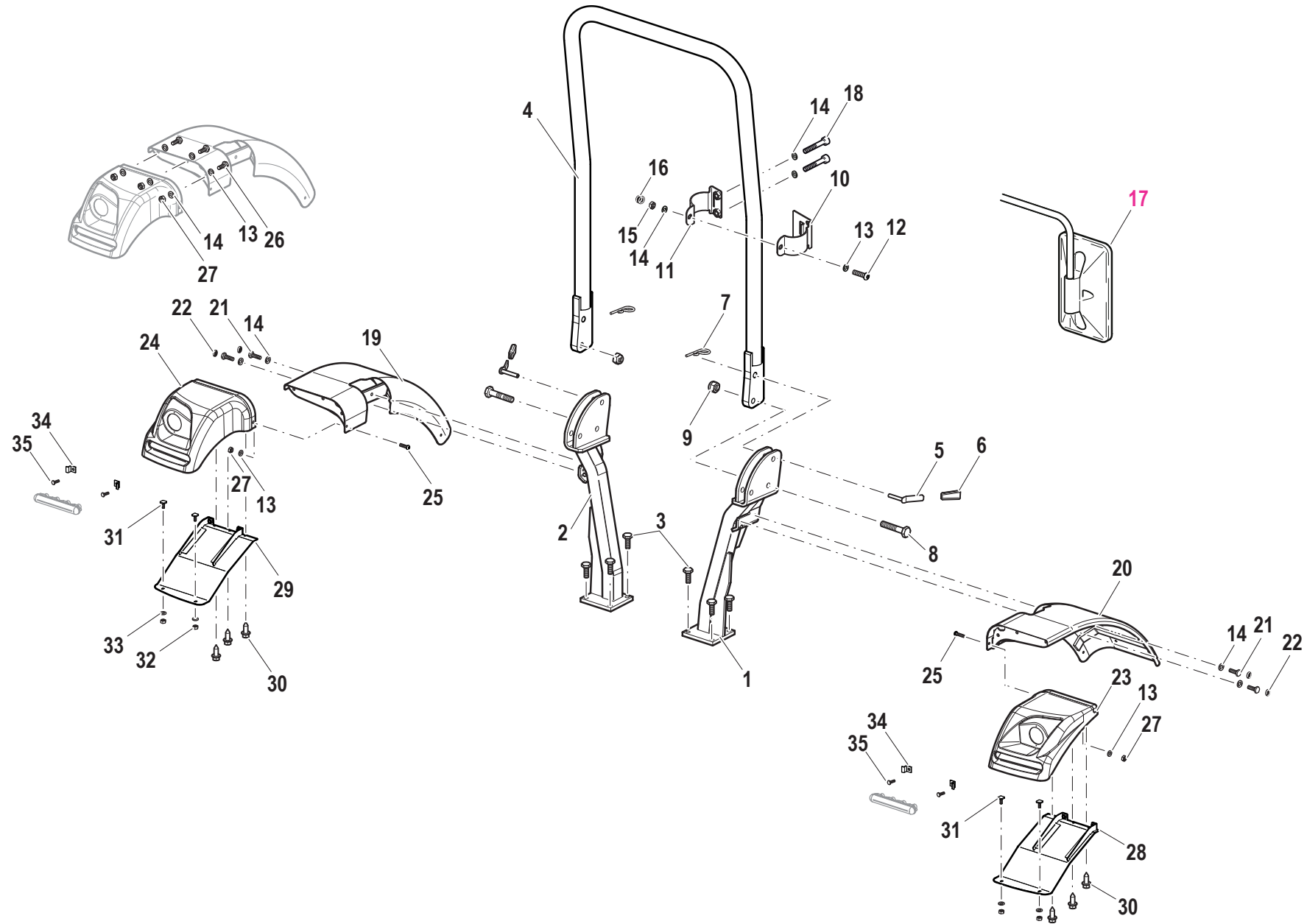
CODE REV

B.02.01.L40019_0



Pos.	Code	Q.ty	Description	Notes
35	56079987	1	GRILLE	

FRONT MODGUARDS



B.03.01.L40019_0

Pos.	Code	Q.ty	Description	Notes
1	59079844	1	LEFT SUPPORTING COLUMN	
2	59079845	1	RIGHT SUPPORTING COLUMN	
3	31112272	8	SCREW TE M12X30 UNI 5739	
4	590A2254N	1	ARCO K60-V65-L60(A2254)NERO	
5	59076690	2	HINGE PIN	
6	P91728000000	2	GRIP	
7	P43914900000	2	SPLIT PIN	
8	F0864377000	2	SCREW M16X70 UNI 5737	
9	F0814794000	2	SELFLOCK NUT M16 CL.6	
10	561A2371N	1	MORS.MASCHIO SPECC.RETROV.NERO	
11	590A2372N	1	MORS.FEMMINA SPECC.RETROV.NERO	
12	31121007	1	SCREW BCEI M8X20 ISO7380	
13	31411084	6	WASHER 8,4x17	
14	F0843643060	10	WASHER 8	
15	31241081	1	SELFLOCK NUT M8	
16	58170866	1	NUT COVER	
17	580A2365	1	SPECCHIO RETROVISORE 6169001	
18	31152081	2	SCREW TCEI M8X20 UNI 5931	
19	590A1992V	1	LEFT FRONT FENDER	
20	590A1993V	1	RIGHT FRONT FENDER	
21	31112150	10	SCREW TE M8X20 UNI 5739 8G	
22	30040095	4	PLUG D.8,5/14	
23	55279804	1	LAMP HOLDER	
24	55279805	1	LAMP HOLDER	
25	F0862479020	4	SCREW M8X16 7380	
26	31111151	14	SCREW TE M8X16 UNI 5739 8G	
27	31211080	6	NUT M8	
28	590A0849	1	GUARD	
29	590A0848	1	GUARD	
30	F0861831000	6	RIBBED SCREW 4,8X13 UNI 6950	
31	58079929	4	SCREW	
32	F0814547000	12	SELFLOCK NUT M6	
33	31411064	6	WASHER 6,4x12,5	
34	56177045	4	RETAINER	

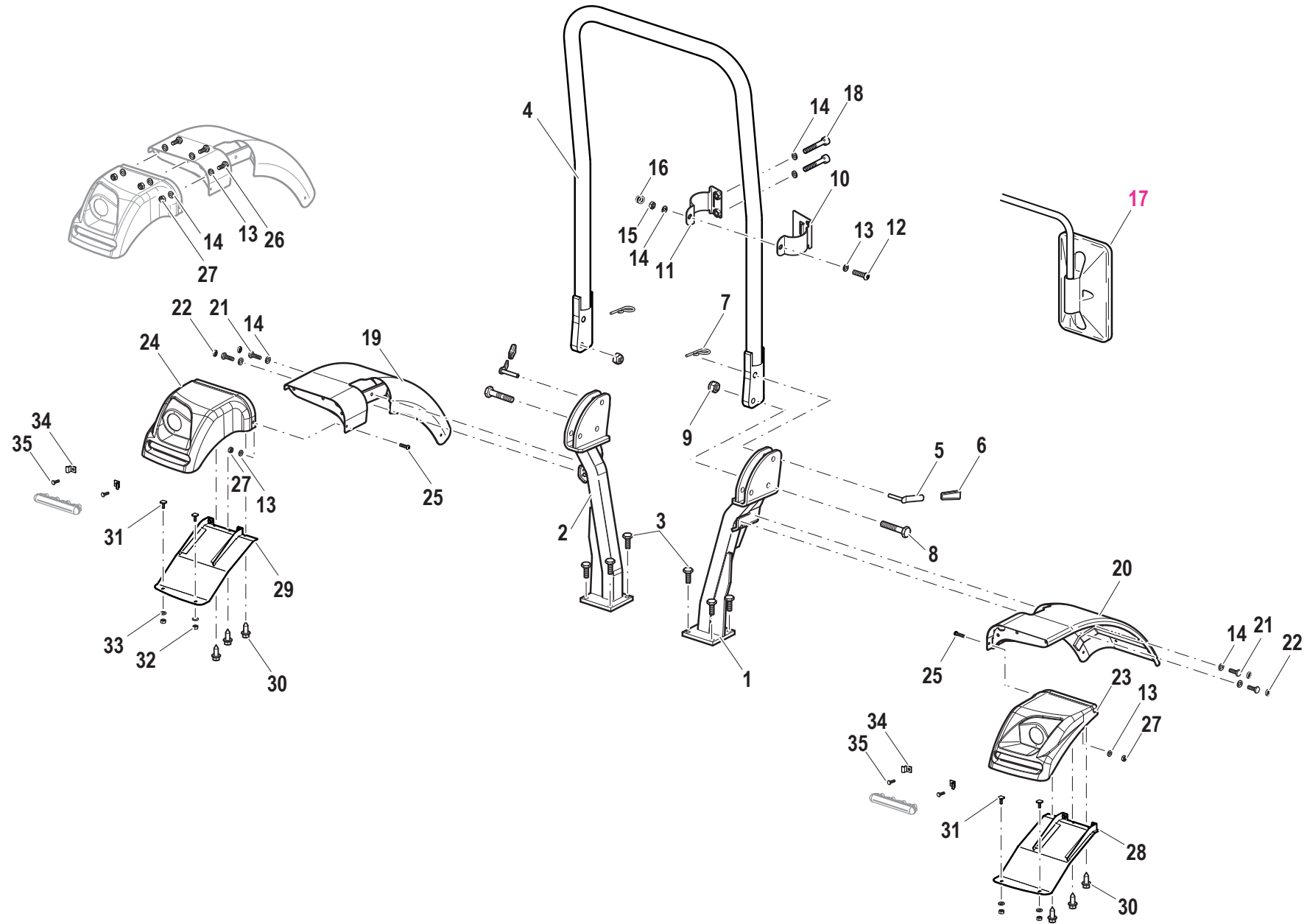
SERIAL

FRONT MODGUARDS

CODE REV

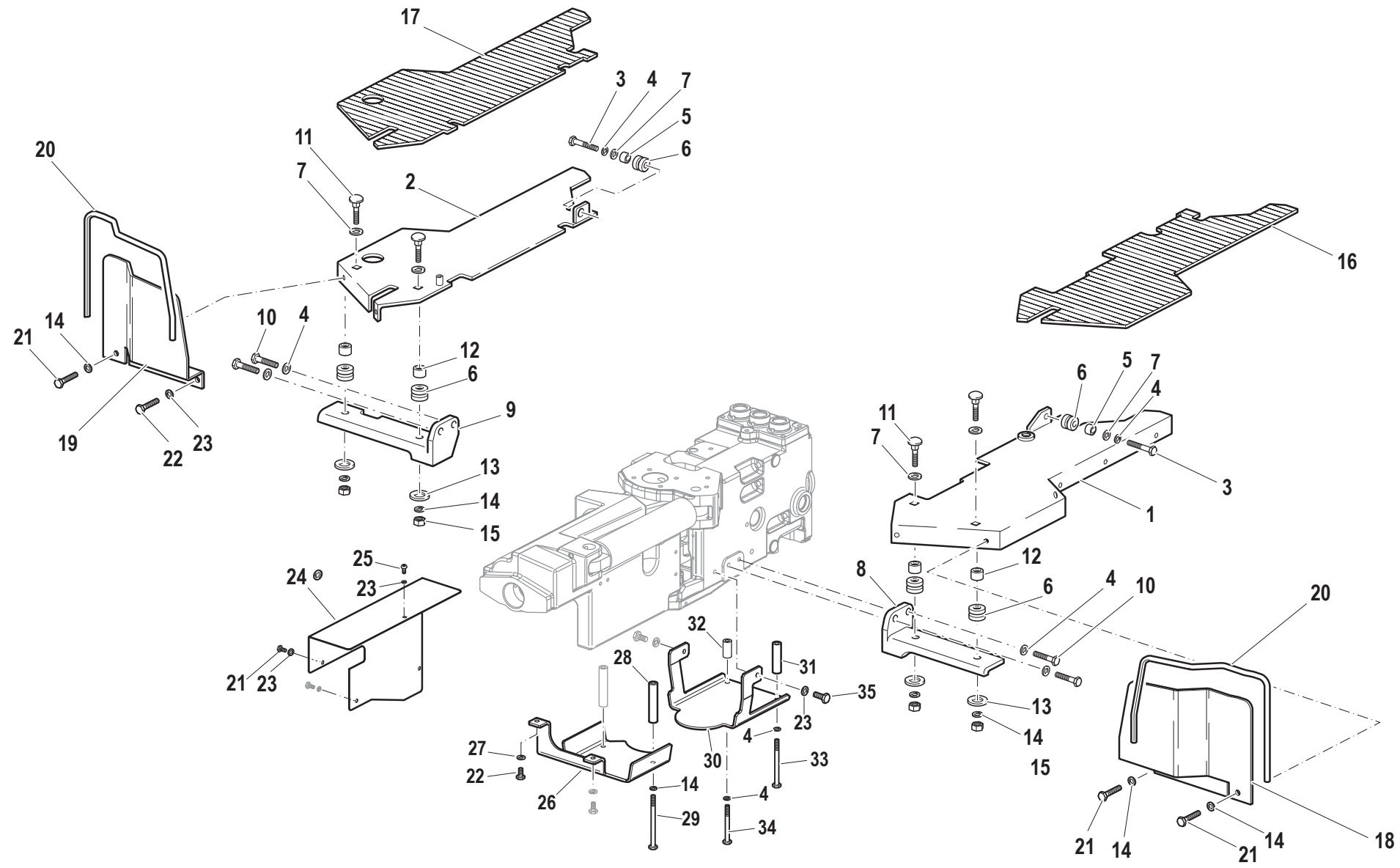
B.03.01.L40019_0

FRONT MODGUARDS



B.03.01.L40019_0

Pos.	Code	Q.ty	Description	Notes
35	F0861830100	8	RIBBED SCREW 3,9X13AB DIN7981	



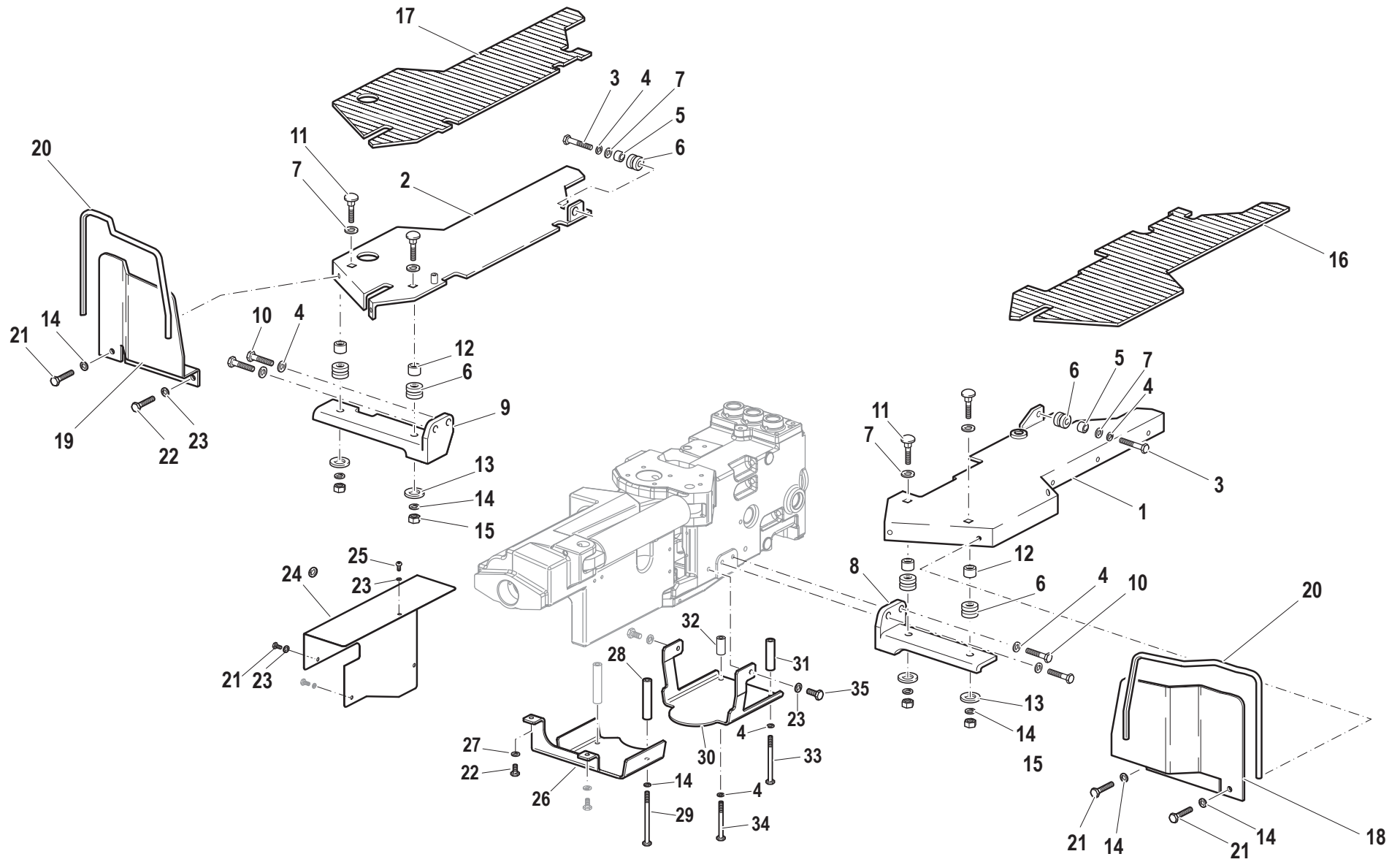
Pos.	Code	Q.ty	Description	Notes
1	59074262	1	PEDAL	
2	59074263	1	PEDAL	
3	31112211	10	SCREW TE M10X30 UNI 5739	
4	F0843755000	10	WASHER 10	
5	56171954	2	SPACER	
6	55175174	6	BLOCK	
7	F0843818000	6	WASHER 11x30/2,5	
8	59074326	1	LEFT FOOTBOARD SUPPORT	
9	59074327	1	RIGHT FOOTBOARD SUPPORT	
10	31112219	4	SCREW TE M10X25 UNI 5739	
11	31122804	4	SCREW TTQ M8X30 UNI 5731	
12	56171996	4	SPACER	
13	31411090	4	WASHER 9x24	
14	F0843643060	9	WASHER 8	
15	31211080	4	NUT M8	
16	57374338	1	FOOTREST COVER	
17	57374339	1	FOOTREST COVER	
18	56174137	1	SHIELD	
19	56174136	1	SHIELD	
20	F0256808000	1	FLAT BAND	
21	31112082	5	SCREW TE M6X12 UNI 5739 8G	
22	31111151	3	SCREW TE M8X16 UNI 5739 8G	
23	F0843570000	8	WASHER 6	
24	561A3065F	1	RIP.DX TUBI L60-K60-V65-AR-CAT	
25	F0862479034	1	SCREW M6X12 7380	
26	560A0337	1	SHIELD	
27	31411084	2	WASHER 8,4x17	
28	560A0362	2	SPACER	
29	F0863079000	2	SCREW M8X105 UNI 5737	
30	561A3235N	1	RIPARO INF.POST.L60-AR-NERO-	
31	561A3258	1	DIST.D.22x11/72 ZNT/B	
32	561A3242	1	DIST.D.22x11/37 ZNT/B	
33	31112223	1	SCREW TE M10X100 UNI 5737	
34	F0863566000	1	SCREW M10x70 UNI 5737	

SERIAL

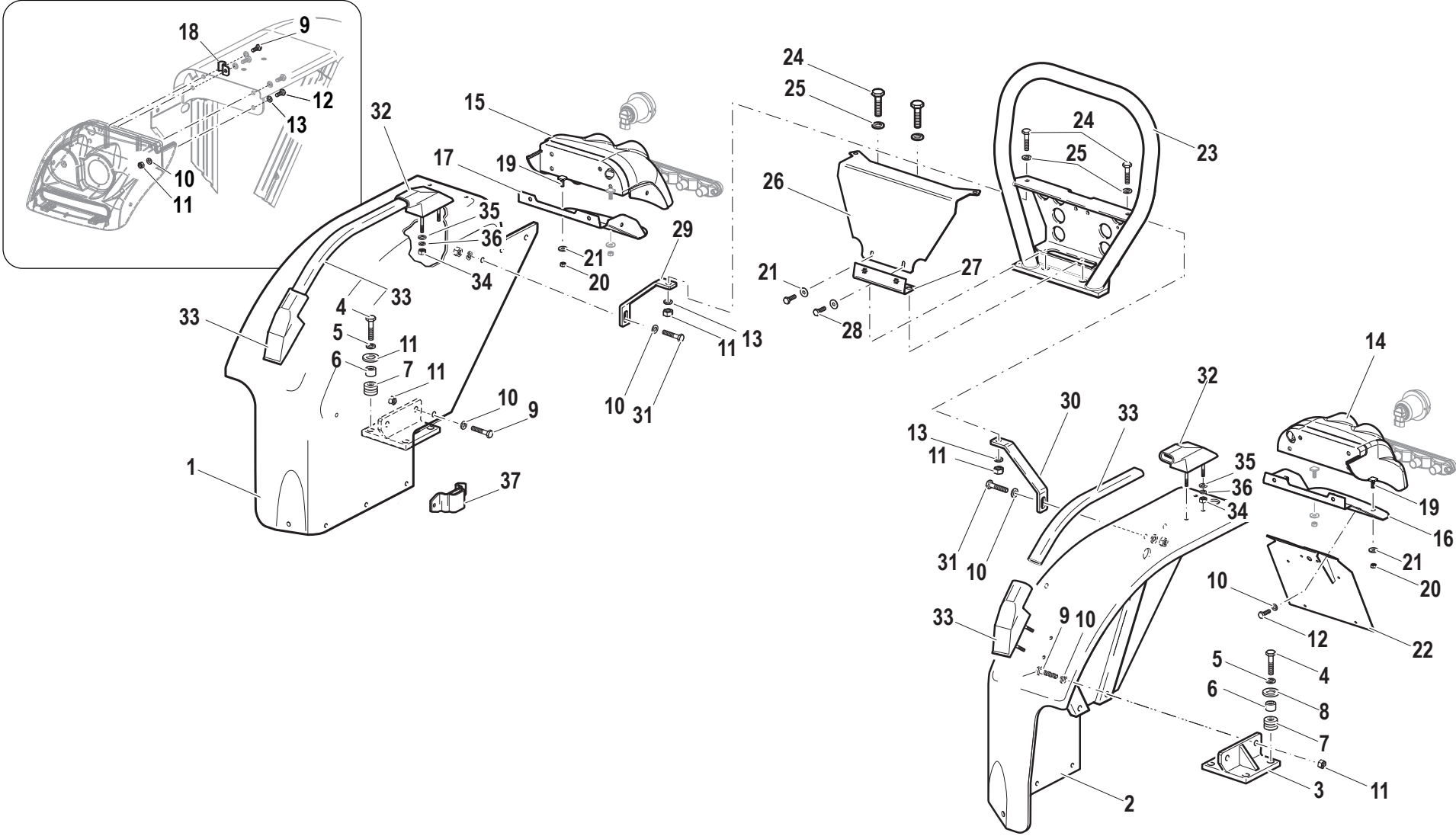
BOARDS

CODE REV

B.04.01.L40019_0



Pos.	Code	Q.ty	Description	Notes
35	31112090	2	SCREW TE M6X16 UNI 5739 8G	



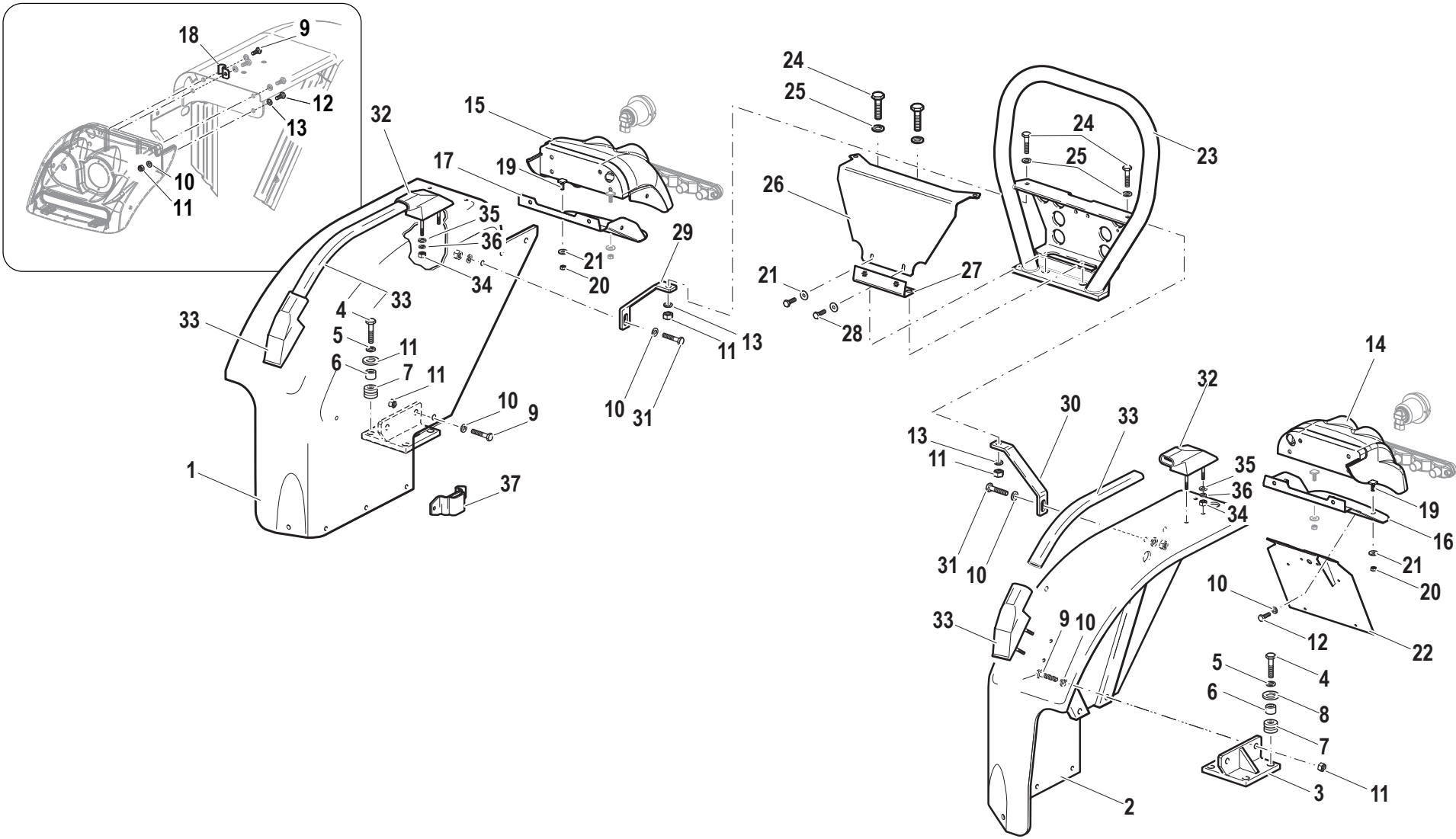
Pos.	Code	Q.ty	Description	Notes
1	590A2918V	1	LEFT REAR FENDER	
2	590A2919V	1	RIGHT REAR FENDER	
3	59074248	2	FIXING BRACKET	
4	31112211	8	SCREW TE M10X30 UNI 5739	
5	F0843755000	8	WASHER 10	
6	56171954	8	SPACER	
7	55175174	8	BLOCK	
8	F0843818000	8	WASHER 11x30/2,5	
9	31112151	4	SCREW TE M8X25 UNI 5739 8G	
10	F0843643060	18	WASHER 8	
11	31211080	16	NUT M8	
12	31111151	8	SCREW TE M8X16 UNI 5739 8G	
13	31411084	10	WASHER 8,4x17	
14	55279806	1	LAMP HOLDER	
15	55279807	1	LAMP HOLDER	
16	590A0057	1	COVER	
17	590A0058	1	COVER	
18	F0825414000	1	CABLE GLAND 7-15-18,5-2,5	
19	58079929	4	SCREW	
20	F0814547000	4	SELFLOCK NUT M6	
21	31411064	6	WASHER 6,4x12,5	
22	590A0059	1	LICENCE PLATE HOLD	
23	59072114	1	SAFETY ROLL BAR	
24	31112264	4	SCREW TE M12X35 UNI 5739	
25	F0843843060	4	WASHER 12	
26	59075765N	1	STRIKER PLATE	
27	59075766	1	LAMINATION	
28	31112082	2	SCREW TE M6X12 UNI 5739 8G	
29	56174365	1	BRACKET	
30	56174366	1	BRACKET	
31	31112150	4	SCREW TE M8X20 UNI 5739 8G	
32	55072935	4	SUPPORT	
33	561A0025	2	MUDGUARD HANDLE	
34	31211060	8	NUT M6	

SERIAL

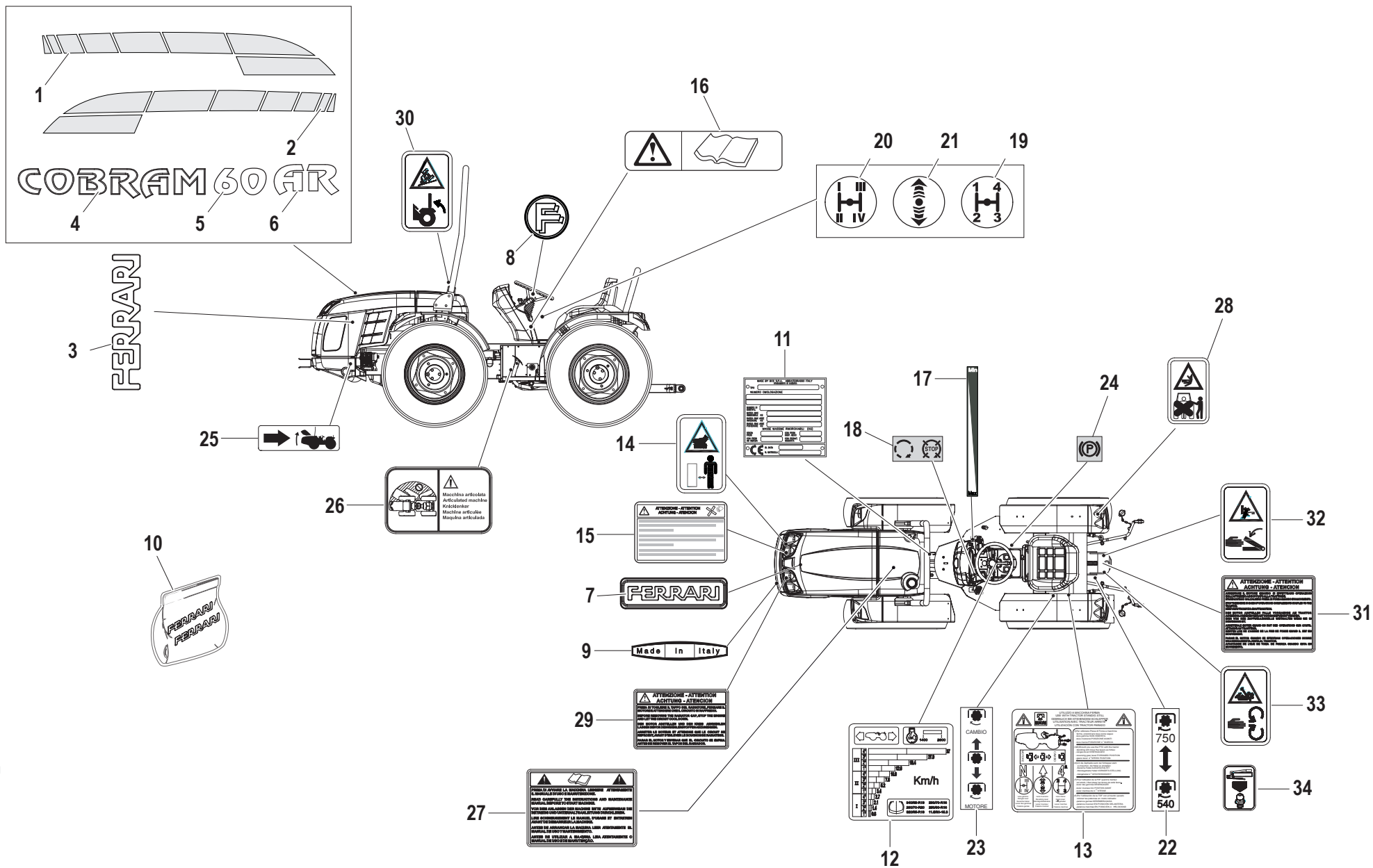
REAR MODGUARDS

CODE REV

B.05.01.L40019_0



Pos.	Code	Q.ty	Description	Notes
35	F0843570000	8	WASHER 6	
36	31411066	8	WASHER 6,6x18	
37	59070592	1	LEVER BEARING	



Pos.	Code	Q.ty	Description	Notes
1	580A1122	1	FREGIO DX (FERRARI) 55-65	
2	580A1123	1	FREGIO SX (FERRARI) 55-65	
3	580A2895	2	DECAL	
4	580A2180	2	DECAL	
5	580A2870	2	ADESIVO 60 FERRARI	
6	580A0233	2	DECAL	
7	580A2171	1	DECAL	
8	580A1121	1	DECAL	
9	580A2179	1	DECAL	
10	581A1060	1	GREEN TOOLS ENVELOPE	
11	580A1023	1	PLATE	
12	580A3133	1	ADES.VEL.MACCHINA K60-V65-L60	
13	58076077	1	DECAL	
14	580A1016	1	DECAL	
15	580A1039	1	FAN WARNING PLATE	
16	58074880	1	PLATE	
17	58077047	1	DECAL	
18	58072511	1	INSTRUCTION PLATE	
19	580A1581	1	DECAL	
20	580A1580	1	DECAL	
21	580A1583	1	DECAL	
22	58072573	1	PLATE	
23	58072575	1	PLATE	
24	58072510	1	INSTRUCTION PLATE	
25	58074841	1	DECAL	
26	580A1608	2	DECAL	
27	580A1042	1	TARGH.ATT.USO-MANUTENZIONE	
28	580A1015	1	DECAL	
29	580A1038	1	PLATE	
30	580A1605	1	DECAL	
31	580A1037	1	PLATE	
32	580A1606	1	DECAL	
33	580A1607	1	DECAL	
34	580A1609	4	DECAL	

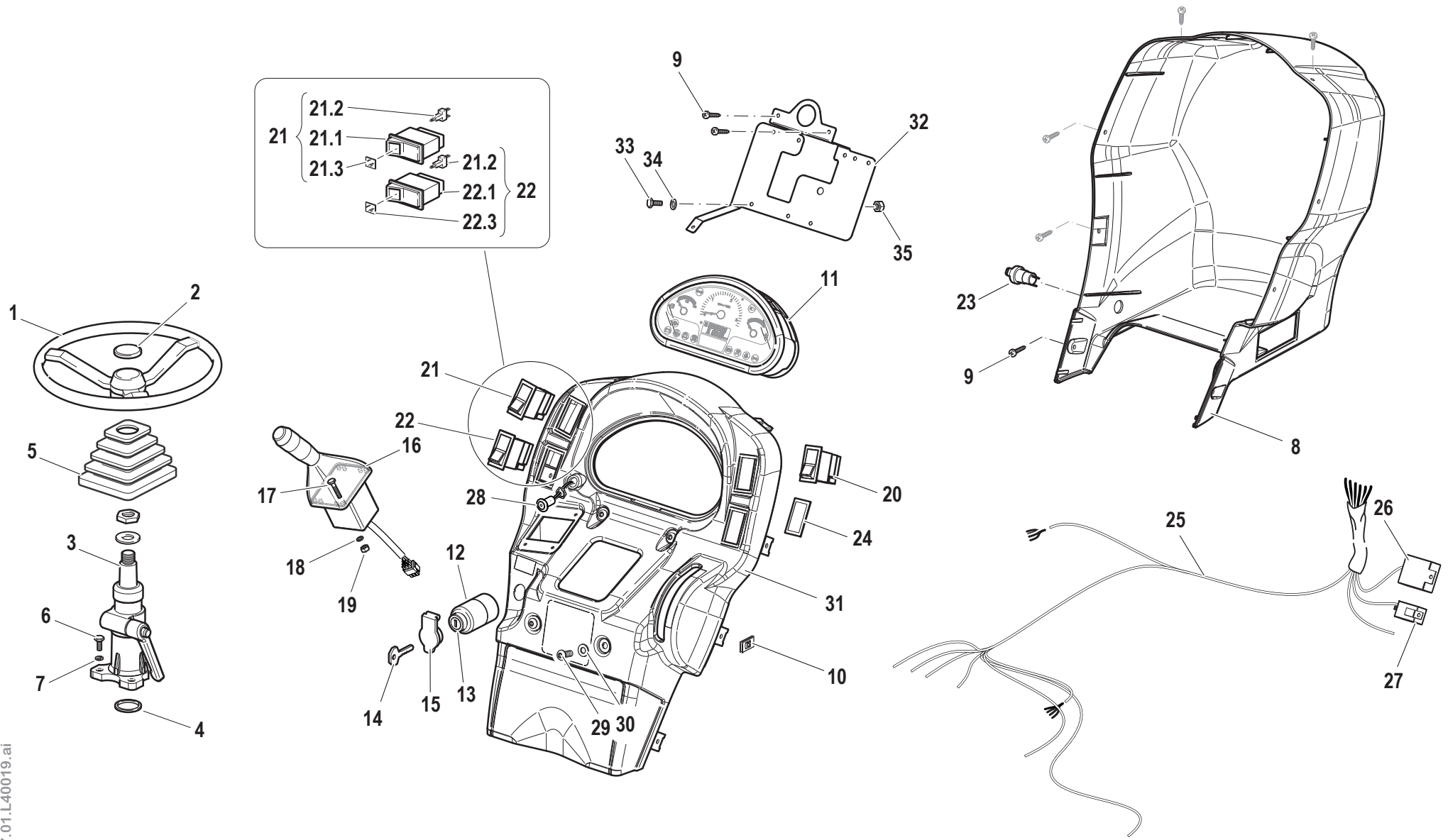
SERIAL

PLATES AND STICKERS

CODE REV

B.06.01.L40019_0

STEERING WHEEL



Pos.	Code	Q.ty	Description	Notes
1	F0865040000	1	STEERING WHEEL	
2	F0865040020	1	PLUG	
3	58177087	1	SMALL COLUMN	
4	56177086	1	CENTERING	
5	P23810500000	1	BELLOWS	
6	31112219	4	SCREW TE M10X25 UNI 5739	
7	F0843755000	4	WASHER 10	
8	55279823	1	INSTRUMENT PANEL	
9	31510096	10	RIBBED SCREW 4,2X16	
10	58173767	8	SMALL PLATE	
11	581A3052	1	STRUM.DIGITALE 05410053.02	
12	F0825500200	1	CHANGE-OVER SWITCH	
13	F0825500210	1	RING NUT	
14	580A2134	2	CHIAVE AVVIAM.14.0458.0000.02	
15	F0825400060	1	COVER	
16	58173345	1	STEERING COLUMN SWITCH UNIT	
17	31111084	4	SCREW TE M4X16 UNI 5739 8G	
18	F0843526000	4	WASHER 4,3x12/1,5	
19	31211040	4	NUT M4	
20	F0825115010	1	PUSH-BUTTON	
23	F0825403050	1	SOCKET	
24	58172043	1	FRONT GRILLE	
25	580A3317	1	CAVO STRUMENTAZIONE L60	
26	58175700	1	SWITCHING DEVICE	
27	F0825139000	1	FLASHER	
28	58176593	1	SWITCH	
29	F0862479020	4	SCREW M8X16 7380	
30	31411084	4	WASHER 8,4x17	
31	55279820	1	INSTRUMENT PANEL	
32	561A1007	1	SUPPORT	
33	31111089	4	SCREW TE M5X10 UNI 5739 8G	
34	F0843561000	4	WASHER 5	
35	31211050	4	NUT M5	
21.1	58177268	1	CHANGE-OVER SWITCH	

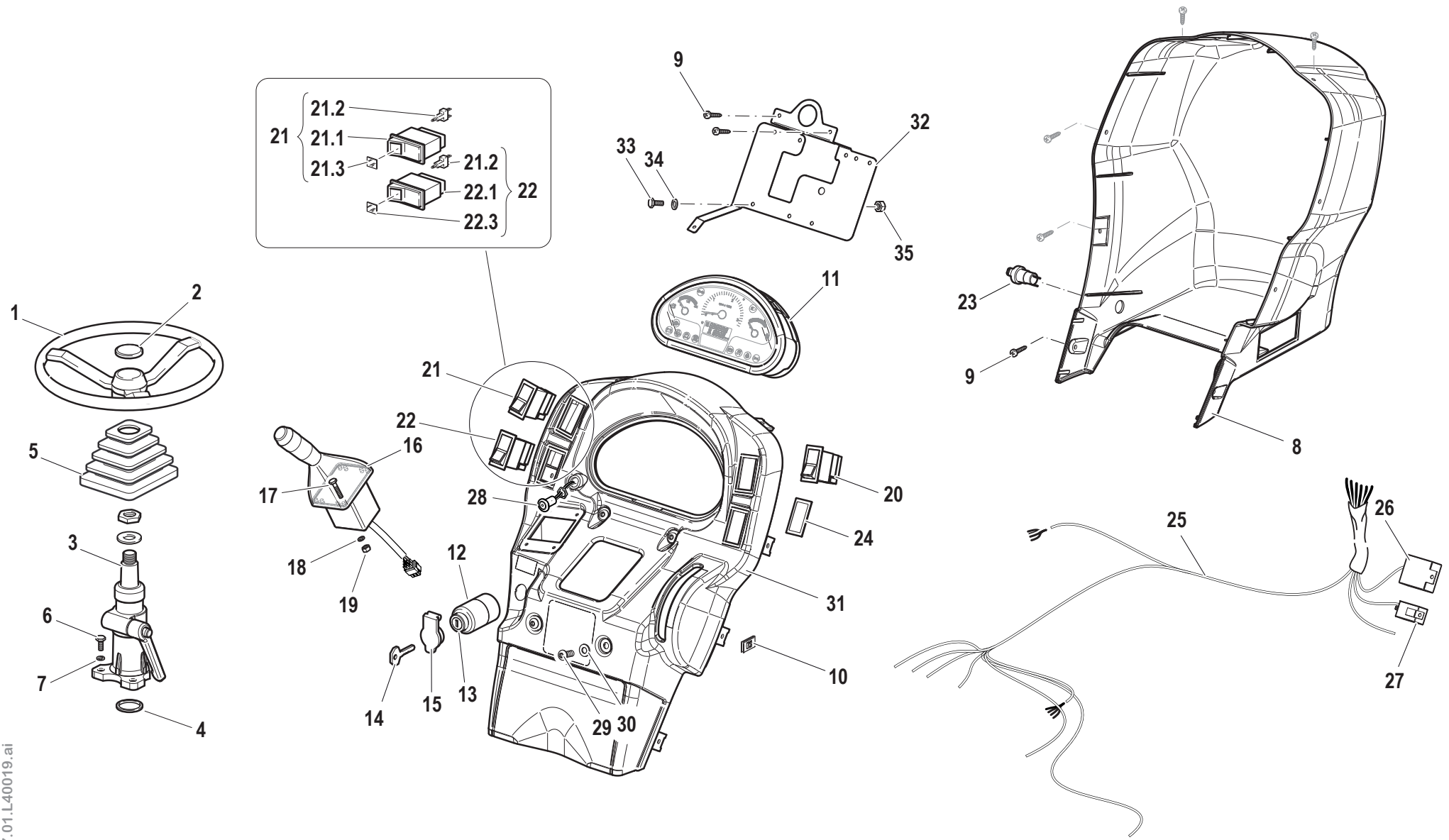
SERIAL

STEERING WHEEL

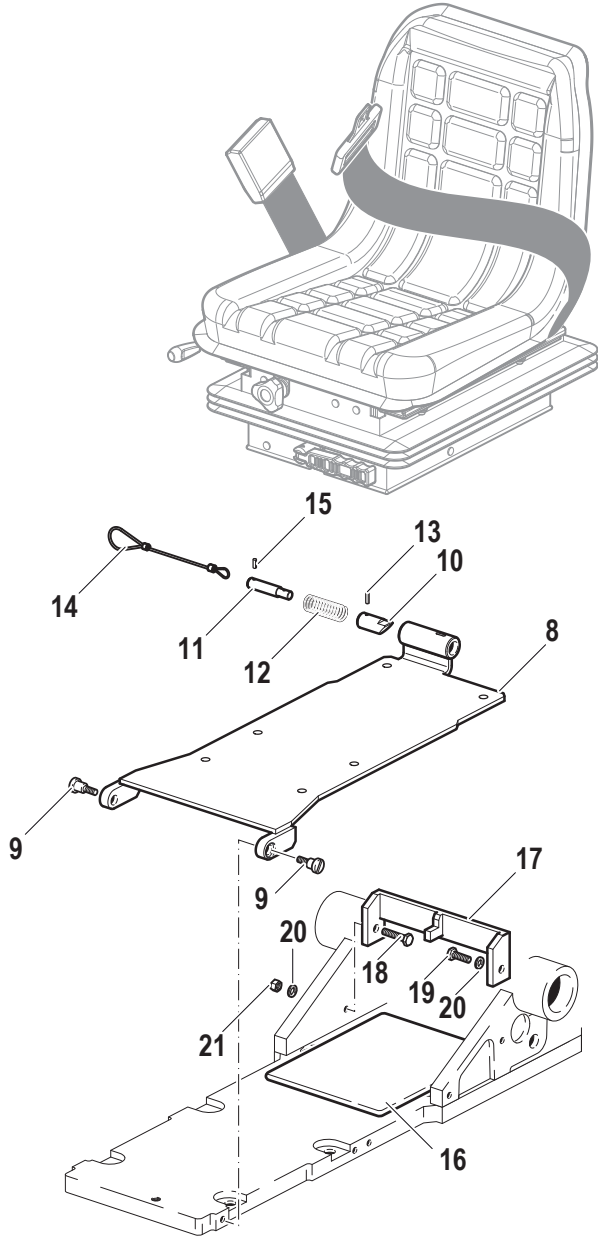
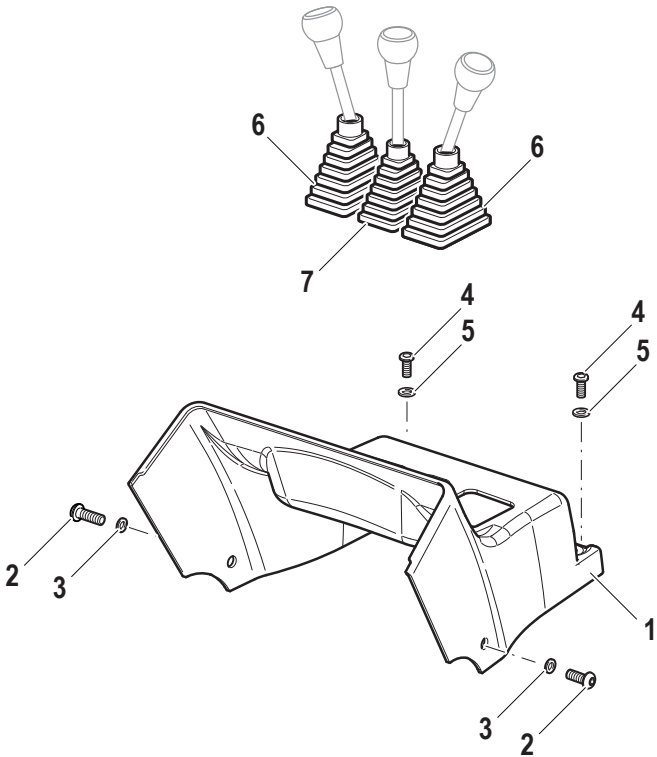
CODE REV

B.07.01.L40019_0

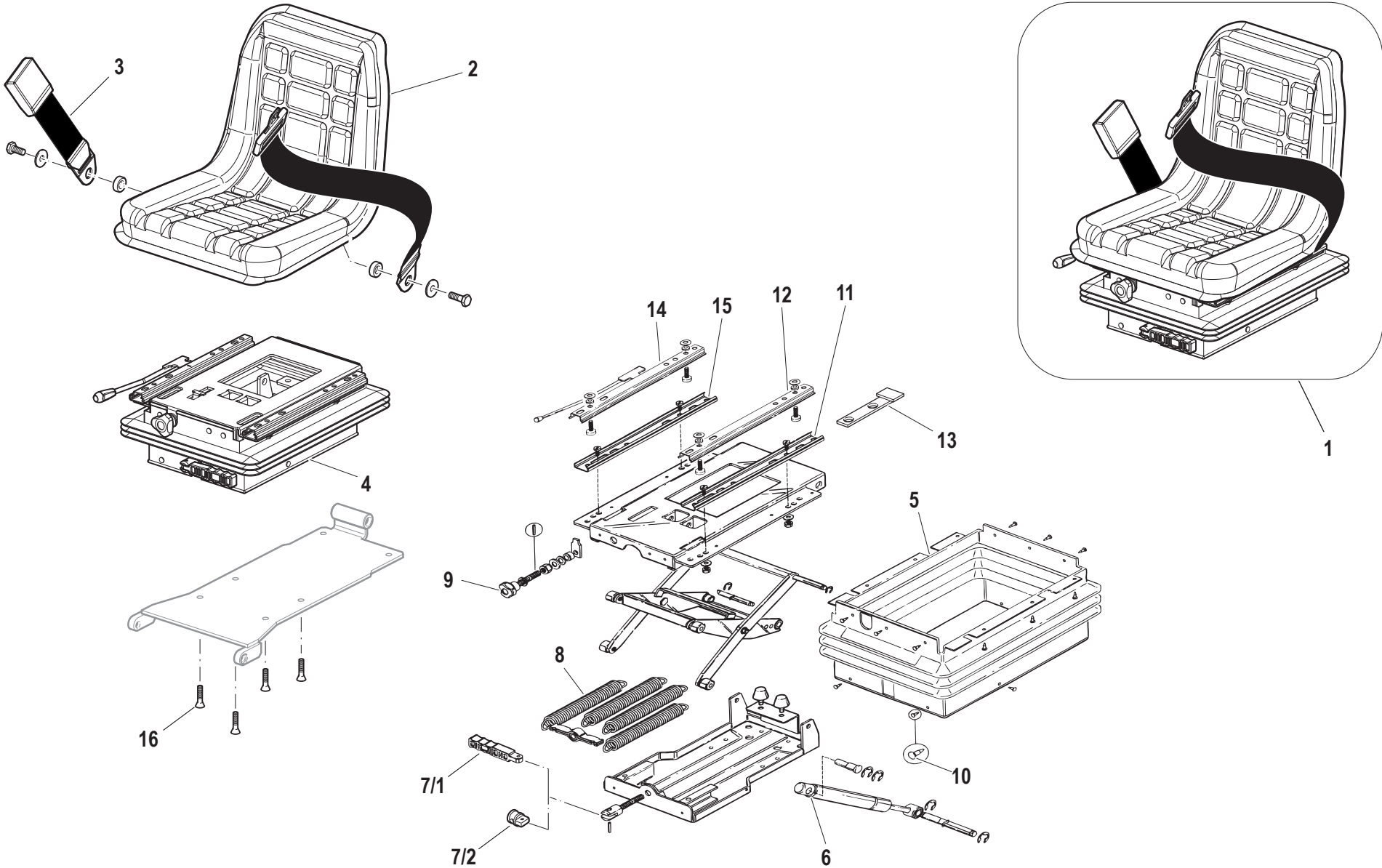
STEERING WHEEL



Pos.	Code	Q.ty	Description	Notes
21.2	58173119	2	LAMP	
21.3	58173120	1	GLASS	
22.1	58173116	1	CHANGE-OVER SWITCH	
22.3	58173121	1	GLASS	

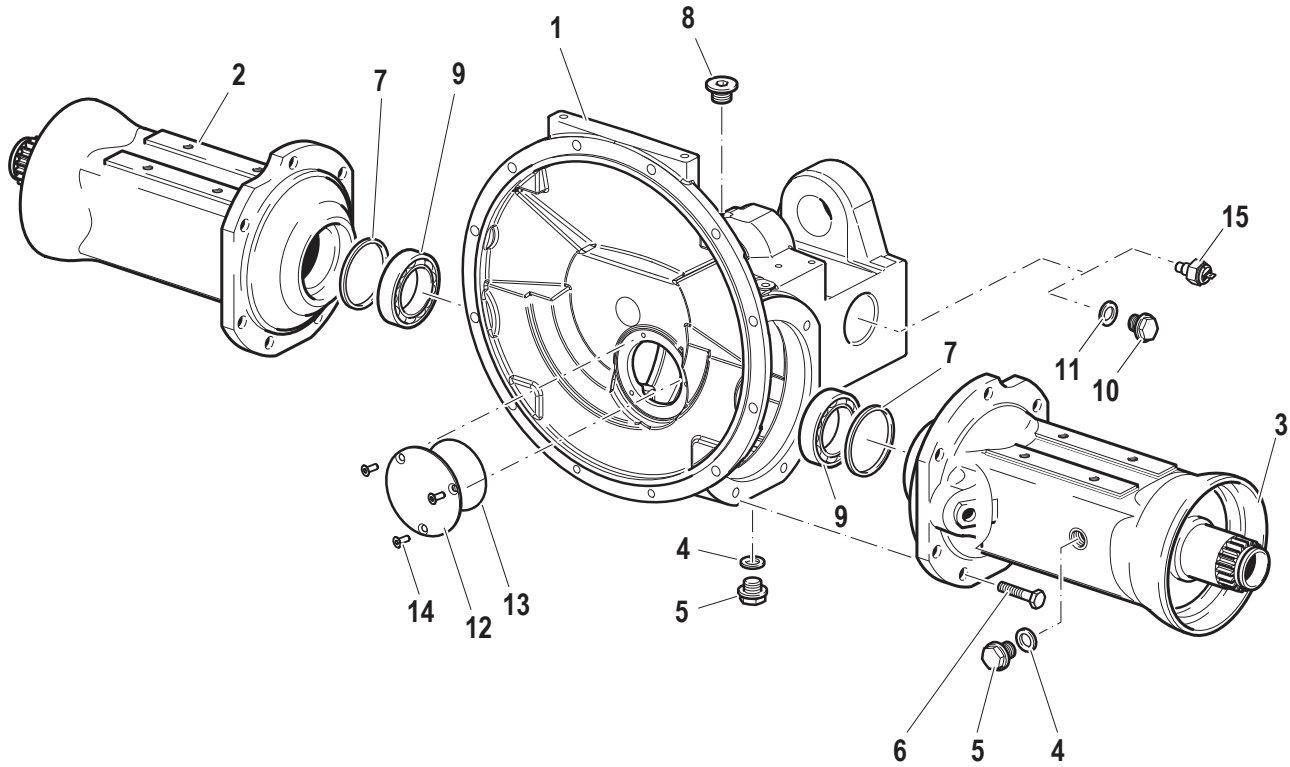


Pos.	Code	Q.ty	Description	Notes
1	573A3140	1	COPERT.LEVE CAMBIO L60-MONO-	
2	31121014	2	SCREW TBCEI M8x12 7380	
3	31411084	2	WASHER 8,4x17	
4	31121006	2	SCREW TBCEI M6X16 ISO 7380	
5	31411064	2	WASHER 6,4x12,5	
6	551A1602	2	SOFFIETTO LEVE MARCE-GAMME	
7	551A1601	1	SOFFIETTO LEVA INVERSO	
8	590A0695	1	FIXING PLATE	
9	56375436	1	HINGE PIN	
10	56374460	1	LOCKING BOLT	
11	561A2685	1	PIST.PERNO AGG.SEDILE GB-GM-DT	
12	58070390	1	SEAT SPRINGS	
13	34211028	1	ROLL PIN	
14	580A2686	1	CAVO SGANCIO SEDILE GB-GM-DT	
15	34211027	1	ROLL PIN	
16	57370321	1	RUBBER	
17	590A0698	1	BRACKET	
18	31112155	1	SCREW TE M8X45 UNI 5739 8G	
19	31112151	1	SCREW TE M8X25 UNI 5739 8G	
20	F0843643060	1	WASHER 8	
21	31221080	1	NUT M8	



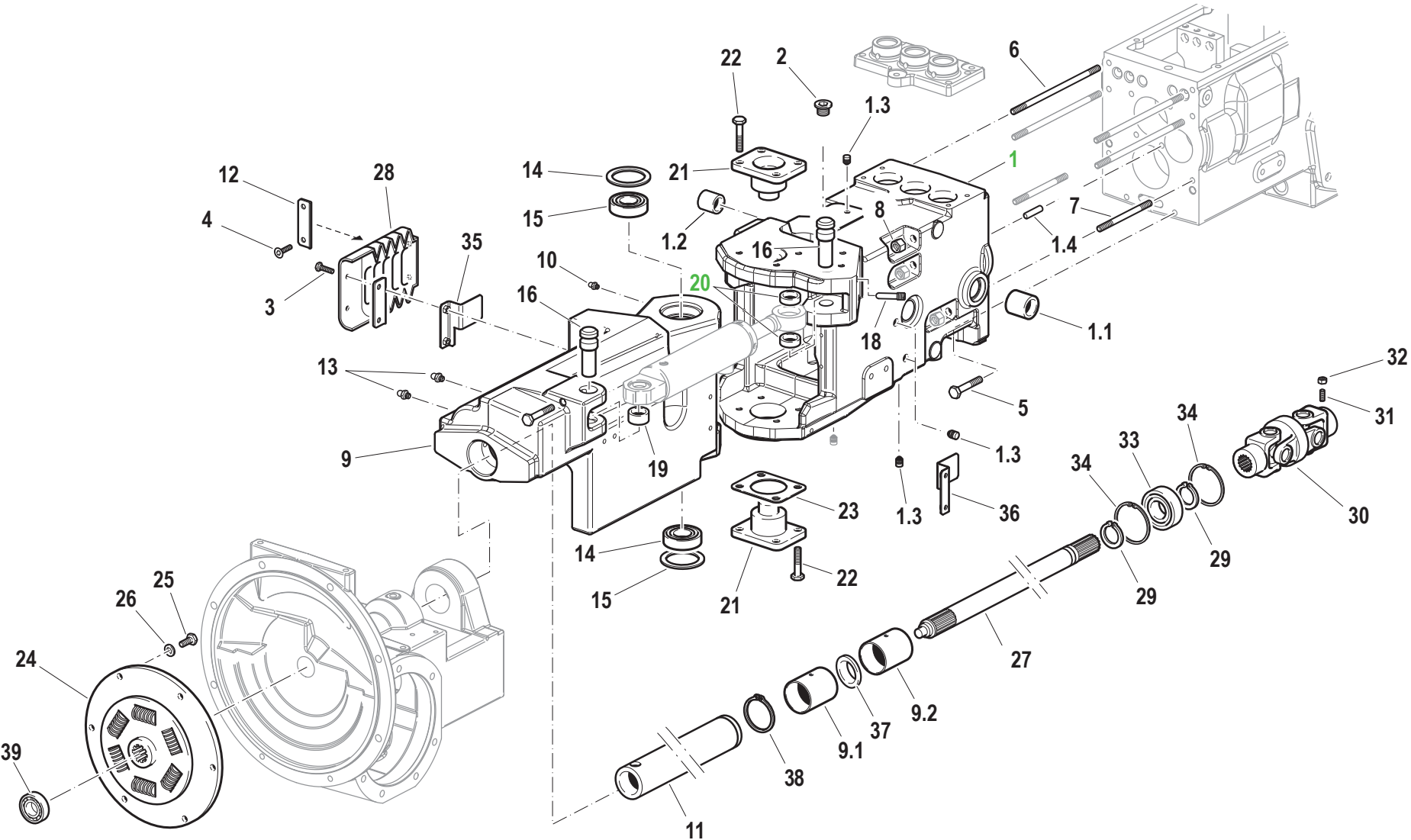
Pos.	Code	Q.ty	Description	Notes
1	58177722	1	SEAT	
2	59901050	1	SEAT	
3	58192377	1	SAFETY BELT	
4	59901049	1	SUSPENSION	
5	59900159	1	BELLOWS	
6	59900156	1	SHOCKS ABSORBER	
8	59900154	4	SPRING	
9	59900153	1	KNOB	
10	59900158	18	SCREW	
11	59900157	1	LOWER GUIDE	
12	59900160	1	GUIDE	
13	59071241	1	STOP PLATE	
14	59900161	1	GUIDE	
15	59900152	1	LOWER GUIDE	
16	31132566	4	SCREW TSVEI M8X20 UNI 5933	
7,1	59900155	1	LEVER	
7,2	56172172	1	SMALL BLOCK	

FRONT AXLE



Pos.	Code	Q.ty	Description	Notes
1	511A2265	1	FRONT BRIDGE BOX L60-K60-V65-	
2	512A0909	1	FRONT AXLE HOUSING	
3	512A0910	1	FRONT AXLE HOUSING	
4	F0844273090	2	GASKET 22X28X1,5 CU 99,5	
5	56370081	2	PLUG	
6	31112264	14	SCREW TE M12X35 UNI 5739	
7	56371582	1	RING	
7	56371583	1	RING	
7	56371584	1	RING	
7	56371585	1	RING	
7	56371586	1	RING	
8	58071790	1	PLUG	
9	F0812895000	2	BEARING 32008 (40X68X19)	
10	30040035	1	PLUG M18x1,5 DIN908	
11	F0824113000	1	COPPER WASHER 18X24/1,5	
12	561A2890	1	COP.ANT.SCAT.PONTE L60-K60-V65	
13	F0803210020	1	O-RING 3256	
14	F0861972000	3	SCREW M6X10 UNI 5933	
15	581A2264	1	SENSORE(AA020096-2)LUNGH.900	

CENTRAL SECTION



C.02.01.L40019.ai

Pos.	Code	Q.ty	Description	Notes
1	511A2732	1	REAR JOINT CLU. HOU. 55-66-AR-	
3	31112093	4	SCREW TE M6X20 UNI 5739 8G	
4	31132562	4	SCREW TSVEI M6X16 UNI 5933	
5	F0863359000	2	SCREW M10X40 UNI 5737	
6	F0838535050	4	STUD BOLT M10X170 UNI5911	
7	F0838475000	2	STUD BOLT M10X90 UNI 5911 8.8	
8	F0814647000	6	NUT M10	
9	51179812	1	BOX	
10	30000007	2	LUBRICATOR	
11	564A2716	1	PERNO BRANDEGGIO 55-65	
12	56172163	2	FIXING BRACKET	
13	F0826056000	2	LUBRICATOR M10 UNI 7663A	
14	F0812747000	2	BEARING 32006X (30x55x17)	
15	58170077	2	GASKET	
16	56373542	2	HINGE PIN	
18	56370178	2	SCREW	
19	56170226	1	SPACER	
21	523A0166	2	JOINT PIN	
22	F0863267050	8	SCREW M10x25	
23	52172158	0	SHIM	
23	52172159	0	SHIM	
23	52172160	0	SHIM	
23	52172161	0	SHIM	
23	52172162	0	SHIM	
24	581A2277	1	COUPLING	
25	31112150	6	SCREW TE M8X20 UNI 5739 8G	
26	31421083	6	WASHER	
27	565A2288	1	ALBERO ANT.FRIZ.L60-K60-AR-	
28	55172608	2	BELLOWS	
29	35121025	2	SEEGER RING E 25 DIN 471	
30	58172155	1	CARDAN JOINT	
31	F0862593050	1	SCREW M8X20 UNI 5927	
32	31211080	1	NUT M8	
33	37112249	1	BEARING	

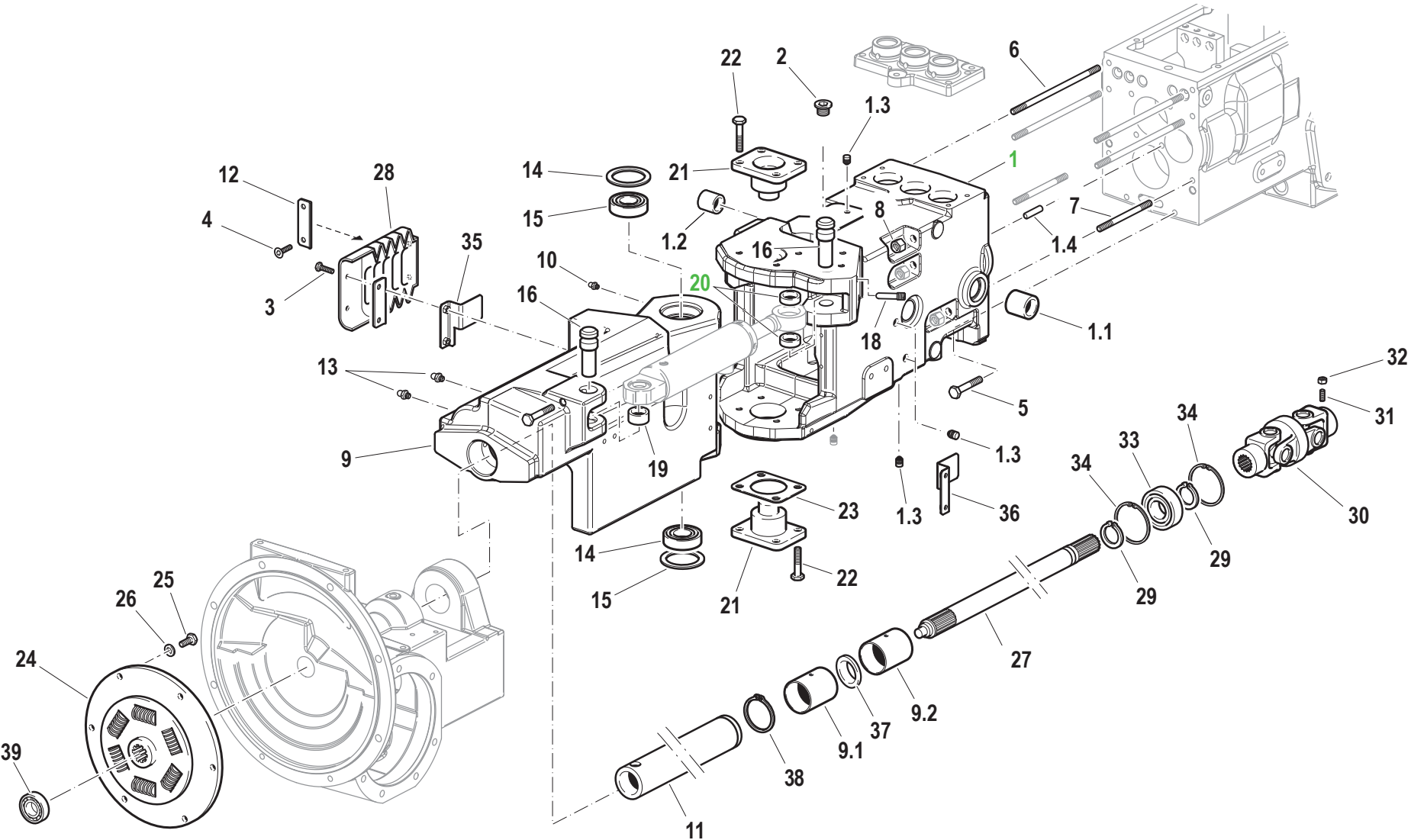
SERIAL

CENTRAL SECTION

CODE REV

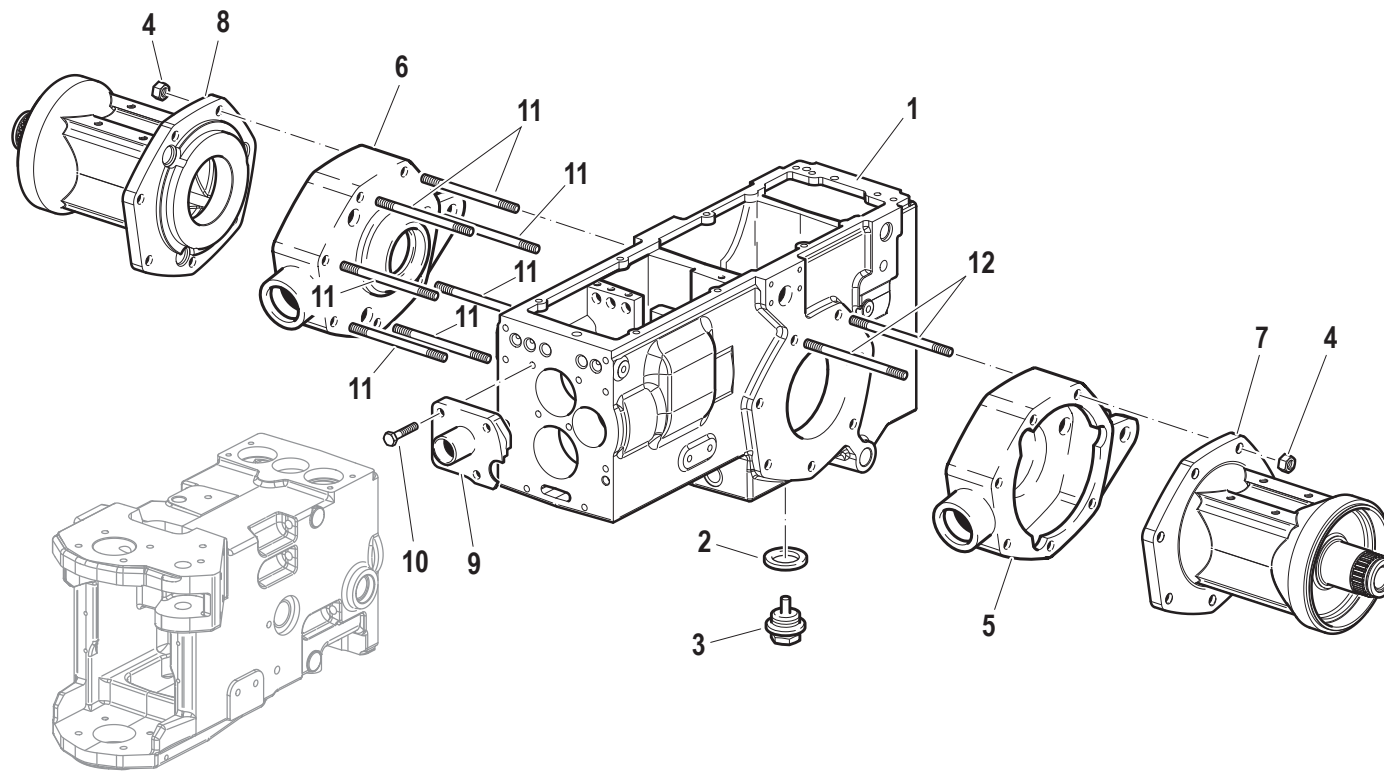
C.02.01.L40019_0

CENTRAL SECTION

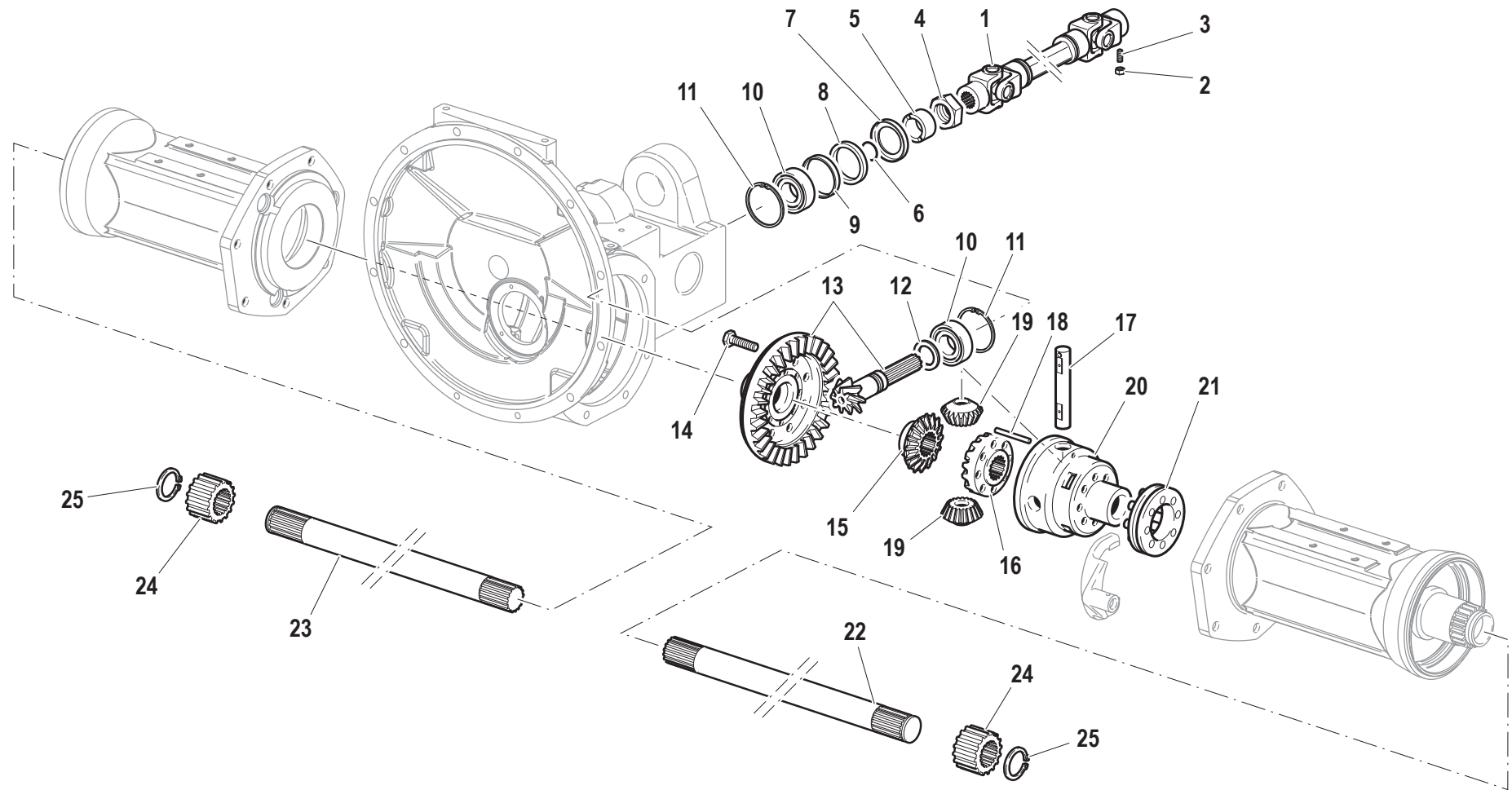


C.02.01.L40019.ai

Pos.	Code	Q.ty	Description	Notes
34	35111052	2	SEEGER RING I 52 DIN 472	
35	59075711	1	PLATE	
36	59075712	1	FIXING PLATE	
37	561A2718Z	1	DIST.D.51,5x45,5/5 ZNT/B	
38	F0801331050	1	SEEGER RING E 45 UNI 7436	
39	37112120	1	BEARING	
1,1	58071793	1	BUSHING	
1,2	58071794	1	BUSHING	
1,3	58179811	5	PLUG	
1,4	56370228	2	CYLINDRICAL PLUG	
9,1	56276360	1	BUSHING	
9,2	56276359	1	BUSHING	

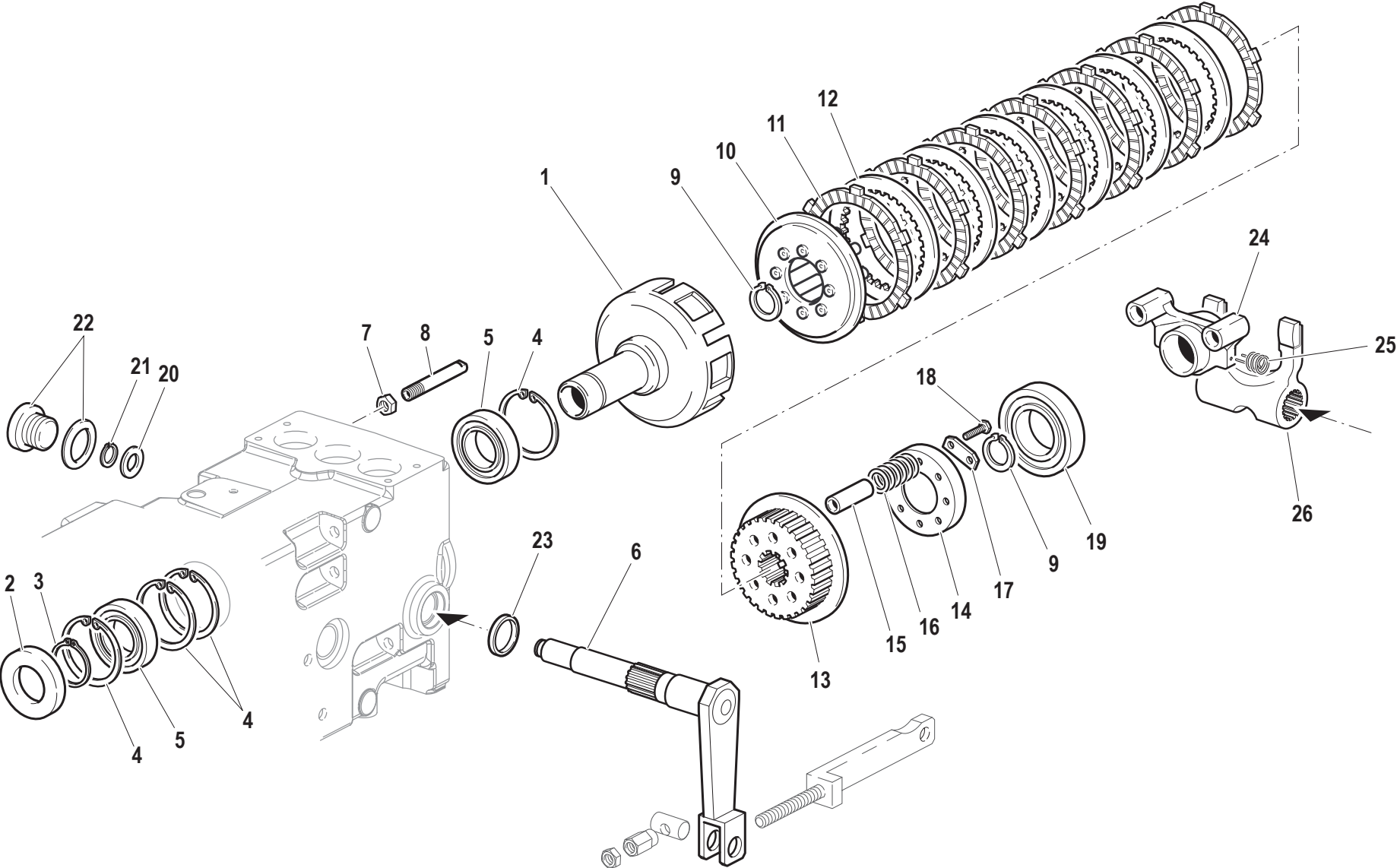


Pos.	Code	Q.ty	Description	Notes
1	511A2164	1	TRANSMISSION BOX 36-48CV	
2	31480191	1	COPPER WASHER 30x36/1,5	
3	581A0108	1	PLUG	
4	F0814695000	14	NUT M12	
5	51171603	1	BRAKE HOUSING	
6	51171604	1	BRAKE HOUSING	
7	512A0109	1	REAR AXLE HOUSING	
8	512A0110	1	REAR AXLE HOUSING	
9	59079172	1	FRONT COVER	
10	31112219	4	SCREW TE M10X25 UNI 5739	
11	F0838660000	8	STUD BOLT M12X105 UNI 5911-66	
12	F0838660100	6	STUD BOLT M12x115 UNI 5911-66	

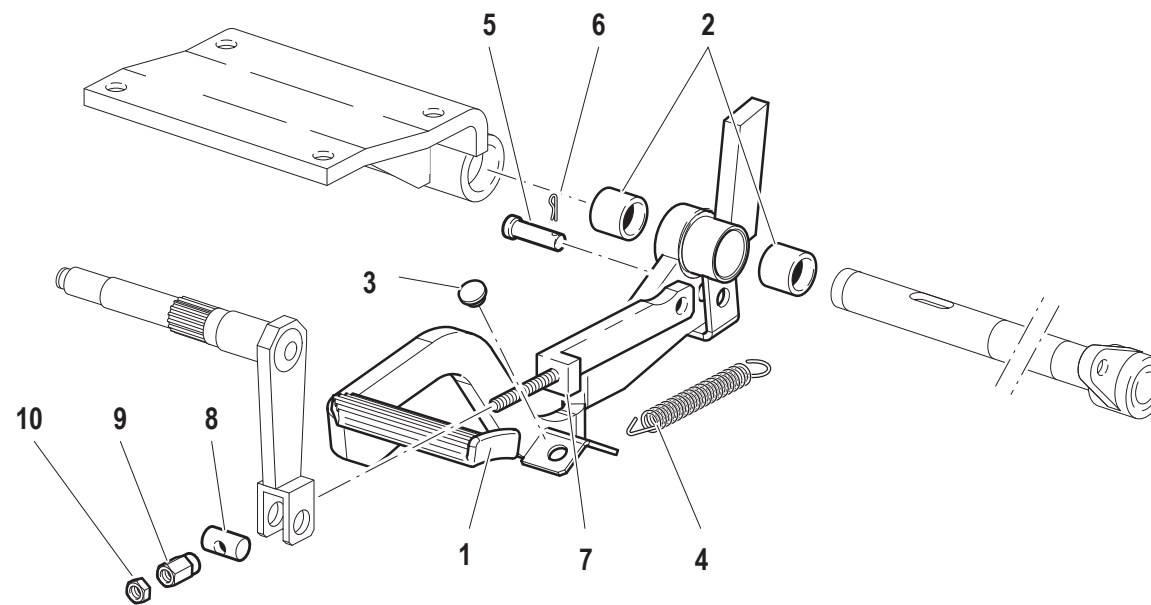


Pos.	Code	Q.ty	Description	Notes
1	581A2292	1	DOPPIO GIUNTO CARD.L60-K60-V65	
2	31211080	1	NUT M8	
3	F0862657000	1	GRAIN	
4	56371666	1	RING NUT	
5	56471665	1	SPACER	
6	38112670	1	O-RING	
7	56171671	1	PROTECTIVE RING D=62	
8	F0802190010	1	SEAL 42x62/7	
9	56171672	1	SPACER	
10	37221300	2	CYL. ROLLER BEARING	
11	35111063	2	SEEGER RING I 62 UNI 7438	
13	593A2290	1	C/C Z=10/39(ANT)L60-K60-V65	
14	F0863267050	8	SCREW M10x25	
15	52471513	1	CROWN WHEEL	
16	52471516	1	CROWN WHEEL	
17	56471508	1	PIN	
18	56371994	1	PIN	
19	52471509	2	PLANETARY GEAR	
20	51374866	1	HOUSING	
21	59071518	1	SLEEVE	
22	56572623	1	AXLE SHAFT	
23	56572624	1	AXLE SHAFT	
24	52473922	2	CROWN WHEEL	
25	F0801175050	2	SEEGER RING E 24X1,75 UNI 7436	
12,1	56371670	0	SHIM	
12,2	56371667	0	SHIM	
12,3	56371668	0	SHIM	
12,4	56371669	0	SHIM	

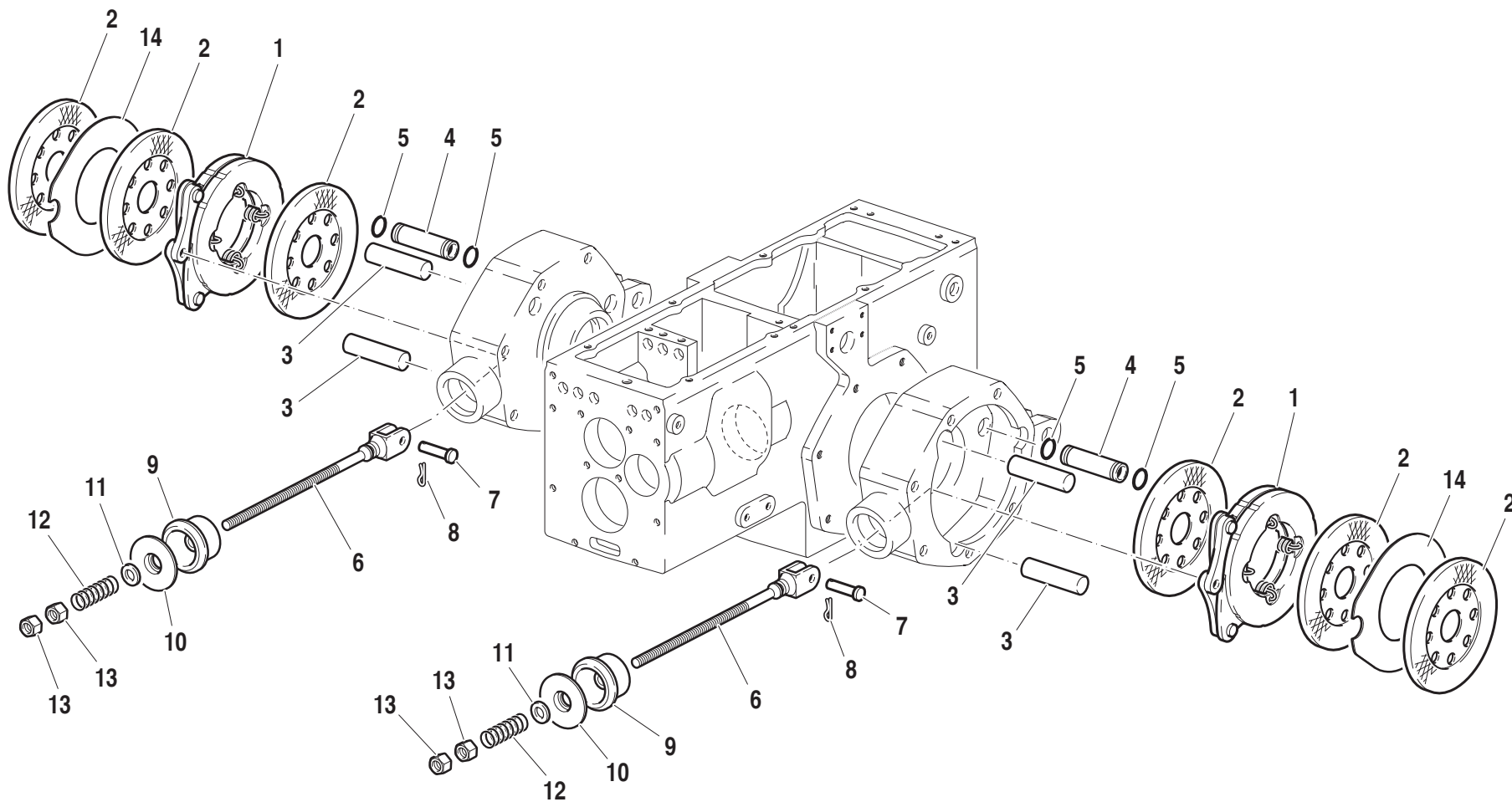
CLUTCH



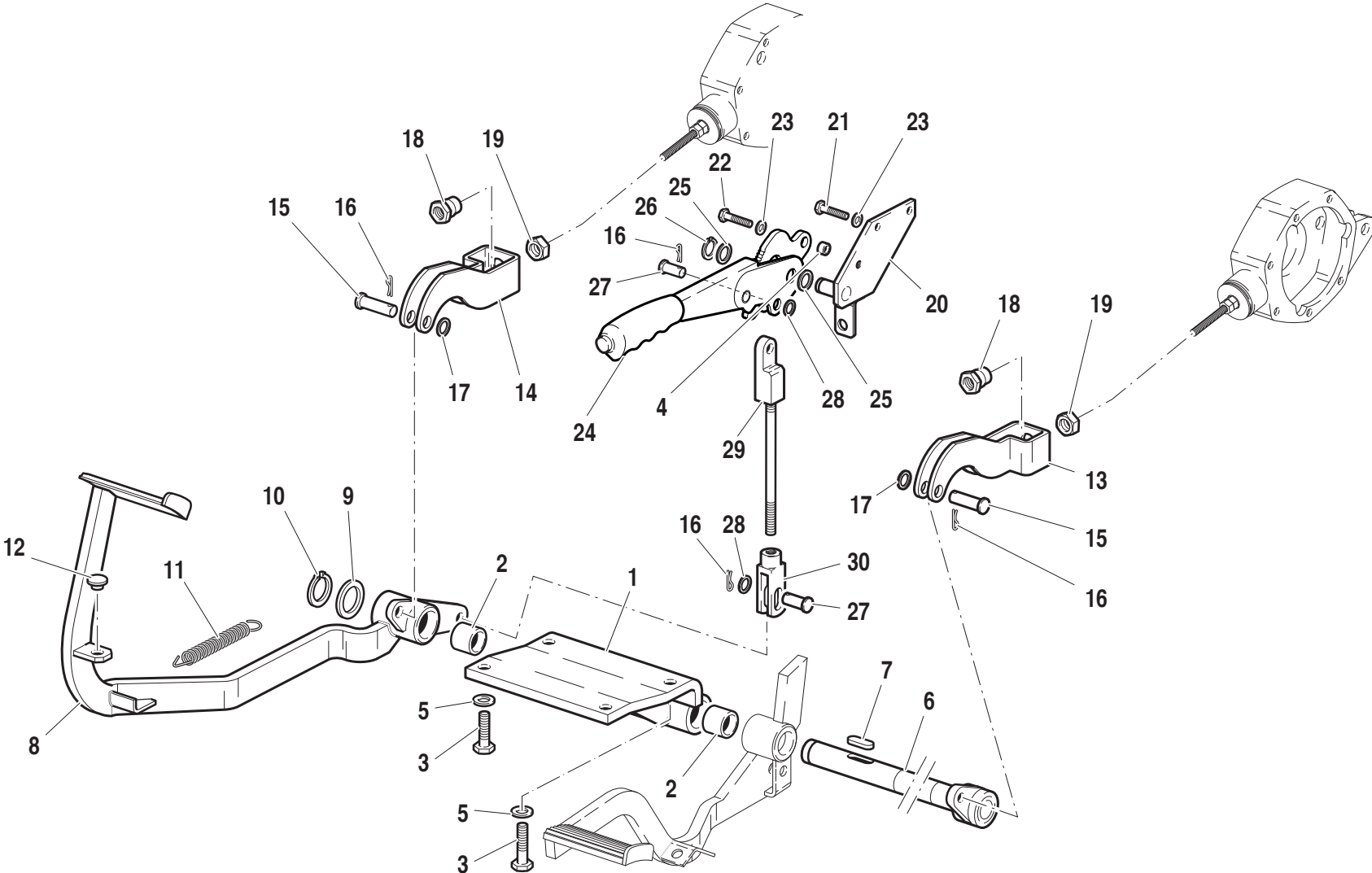
Pos.	Code	Q.ty	Description	Notes
1	525A2727	1	CAMP.FRIZ.CAMBIO(INDIP)L60-AR-	
2	F0802187050	1	OIL SEAL 40x68/10	
3	35121040	1	SEEGER RING E 40 DIN 471	
4	F0801408000	4	SEEGER RING I 68 UNI 7437	
5	37111400	2	BEARING	
6	59271720	1	SHAFT	
7	561A2740	1	TUBO LAV.FRIZIONE CAMBIO 55-65	
8	563A3354	1	DADO SPEC.M12 CH.17/10	
9	35121031	2	SEEGER RING E 30 UNI 7436	
10	592A1187	1	DISCO REAZ.FRIZ.CAMBIO 55-65CV	
11	58171558	7	CLUTCH DISC	
12	58171559	6	DISC	
13	524A1233	1	MOZZO DISCHI FRIZIONE	
14	56371551	1	FLANGE	
15	561A1188	4	DIST.D.12x10,1/31,1	
16	580A1189	8	MOLLA FRIZIONE 55-65	
17	52071702	4	CLAMPING PLATE	
18	31111091	8	SCREW E M6X14 UNI 5739 8G	
19	37111460	1	BEARING	
20	52171744	1	SHIM	
21	35121014	1	SEEGER RING E 14 DIN 471	
22	58071790	1	PLUG	
23	38212503	1	OIL SEAL 25x35/7	
24	522A1185	1	FRICTION RELEASE SLEEVE 55-65	
25	F0819180080	2	SPRING	
26	52371733	1	CLUTCH FORK	



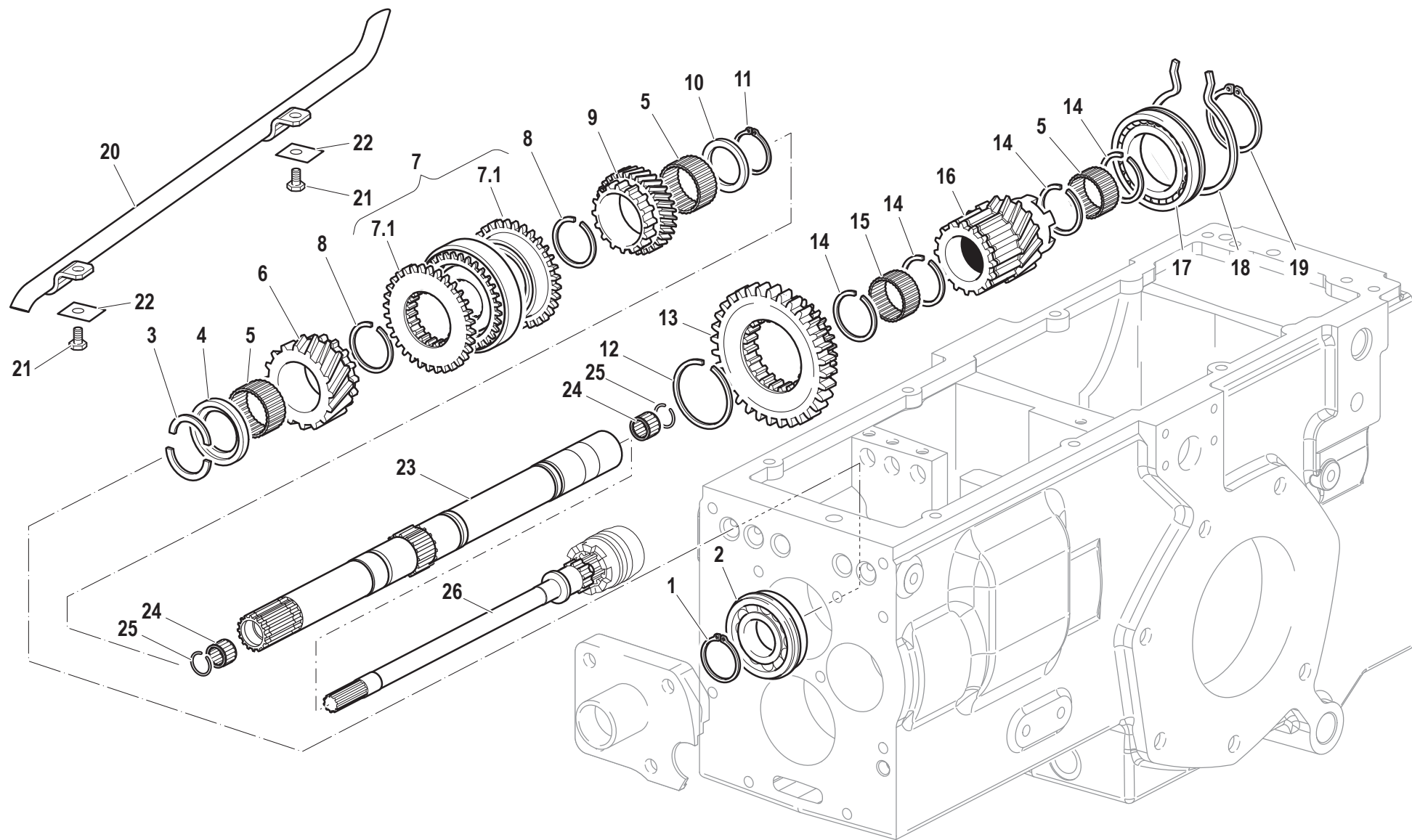
Pos.	Code	Q.ty	Description	Notes
1	590A2905N	1	PEDALE COM.FRIZ.L60-MONO-NERO-	
2	58171596	2	BUSHING	
3	F0822537050	1	BUFFER	
4	F0831139000	1	SPRING	
5	56471813	1	PIN	
6	F0810510000	1	SPLIT PIN A2,0X20 UNI 1336	
7	59071640	1	ROD	
8	56371714	1	PIN	
9	56371715	1	REGISTER	
10	31231090	1	NUT M10	



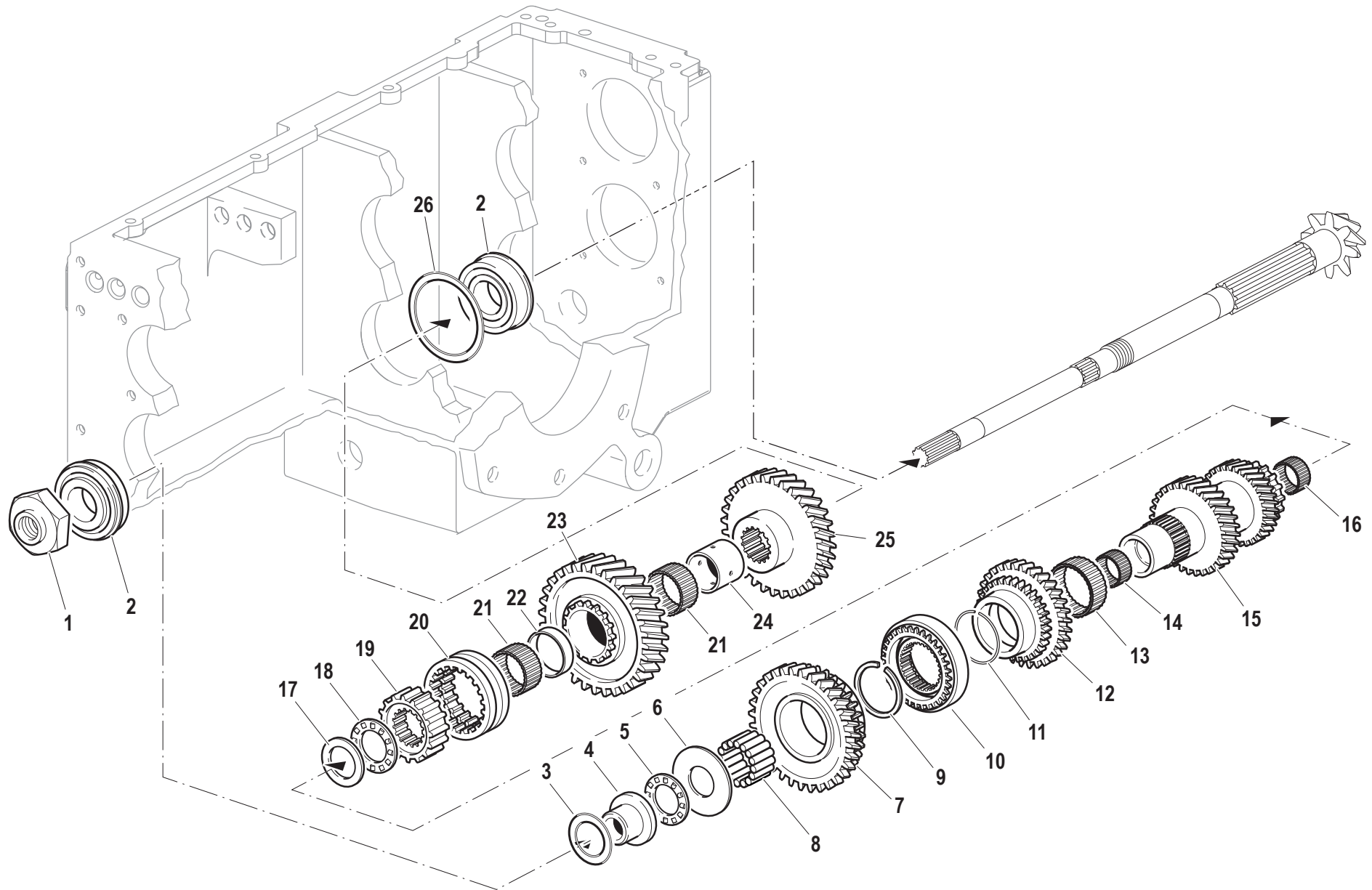
Pos.	Code	Q.ty	Description	Notes
1	58171706	2	BRAKE	
2	58171707	4	BRAKE DISC	
3	56371606	4	PIN	
4	56371605	2	PIN	
5	F0803186000	4	O-RING 123	
6	56371708	2	ROD	
7	56471709	2	PIN	
8	F0810510000	2	SPLIT PIN A2,0X20 UNI 1336	
9	55170047	2	BOOT	
10	56170043	2	COVER	
11	31411130	2	WASHER 13x24	
12	58070366	2	RETAINING SPRING	
13	31231120	4	NUT M12	
14	P45352401000	2	SHIM	



Pos.	Code	Q.ty	Description	Notes
1	59071724	1	SUPPORT	
2	58171596	2	BUSHING	
3	31112219	2	SCREW TE M10X25 UNI 5739	
4	56171936	1	SPACER	
5	F0843755000	4	WASHER 10	
6	59072169	1	SHAFT	
7	F0806533000	1	KEY 8X7X30 UNI 6604/A	
8	59072167	1	BRAKE PEDAL	
9	56349629	1	RING	
10	35131026	1	SEEGER RING E 25X2 UNI 7436	
11	58070373	1	RESTORING SPRING	
12	F0822537050	1	BUFFER	
13	56172019	1	LEFT BRACKET	
14	56171787	1	BRACKET	
15	56470797	2	PIN	
16	F0810510000	4	SPLIT PIN A2,0X20 UNI 1336	
17	31411130	2	WASHER 13x24	
18	52373177	2	NUT	
19	31231120	2	NUT M12	
20	59075443	1	SUPPORT	
21	31112150	2	SCREW TE M8X20 UNI 5739 8G	
22	31112151	1	SCREW TE M8X25 UNI 5739 8G	
23	F0843643060	2	WASHER 8	
24	58178960	1	HANDBRAKE LEVER	
25	31411150	1	WASHER 15x28	
26	F0801095000	2	SEEGER RING E 14 7435	
27	56470365	1	PIN	
28	31411105	2	WASHER 10,5x21	
29	59075446	2	HANDBRAKE TIE-ROD	
30	50972173	1	FORK	



Pos.	Code	Q.ty	Description	Notes
1	35121031	1	SEEGER RING E 30 UNI 7436	
2	F0812750000	1	BEARING 6206-NR (30X62/16)	
3	56371440	2	HALF RING	
4	56471441	1	SHIM	
5	F0812737000	3	ROLLER CAGE K 30X35/27	
6	52479154	1	SPEED GEAR	
7	58179928	1	LOCK SYNCHRONIZER	
8	F0801266050	2	SAFETY RING	
9	52479155	1	SPEED GEAR	
10	56471654	1	SHIM	
11	35121030	1	SEEGER RING E 30 DIN 471	
12	F0801346200	1	SAFETY RING	
13	52479156	1	SLIDING GEAR	
14	F0801266000	4	SAFETY RING	
15	F0812736010	1	ROLLER CAGE K 30X35/20 H	
16	52479158	1	CONDUCTOR GEAR	
17	50974166	1	BEARING	
18	58073788	1	SEEGER RING	
19	F0801331050	1	SEEGER RING E 45 UNI 7436	
20	59075936	1	PIPE	
21	31111090	2	SCREW TE M5X10 UNI 5739 8G	
22	31450060	2	SMALL PLATE	
23	52479521	1	TRANSMISSION SHAFT	
24	F0812578050	2	ROLLER CAGE 17x21/13	
25	F0801156050	2	SAFETY RING	
26	56479697	1	SHAFT	



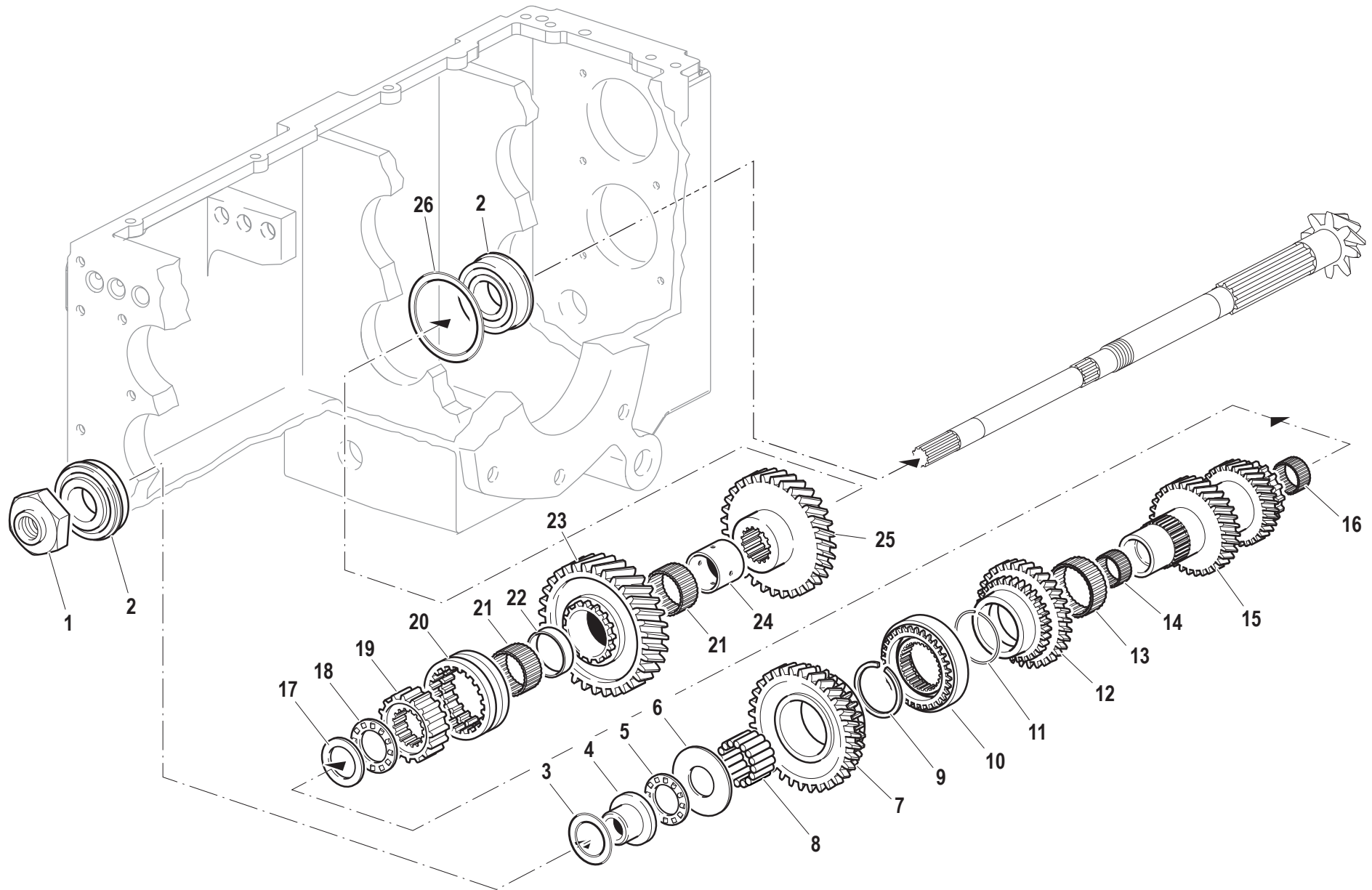
Pos.	Code	Q.ty	Description	Notes
1	56371652	1	NUT	
2	37120000	1	BEARING	
2	F0812810101	2	IR RING	
2	F0812810102	2	OUTER RING	
3	58024193	0	SHIM	
3	58024194	0	SHIM	
3	58024195	0	SHIM	
3	58024196	0	SHIM	
3	58074109	0	SHIM	
4	56471655	1	BUSHING	
5	58173790	1	BEARING	
6	52473789	0	THRUST PLATE	
6	52473812	0	THRUST PLATE	
6	52473813	0	THRUST PLATE	
7	524A2303	1	DRIVE GEAR 1°VEL.50-60CV	
8	58179169	33	ROLLER	
9	F0801280100	1	SAFETY RING	
10	58175937	1	LOCK SYNCHRONIZER	
11	58072505	1	SHOULDERED WASHER	
12	52479164	1	DRIVEN GEAR	
13	F0812918050	1	ROLLER CAGE K 42X47/17	
14	F0812686100	1	ROLLER CAGE K 25X30X24 H	
15	524A2302	1	DO.DRI.GEAR 3°-4°VEL50-60CV	
16	F0812732080	1	ROLLER CAGE 27X34/17 H	
17	52473796	1	THRUST PLATE	
18	58173797	1	BEARING	
19	52473721	1	SLEEVE	
20	52471459	1	SLIDING SLEEVE	
21	F0812871030	2	ROLLER CAGE K 37X42/17	
22	56271457	1	SPACER	
23	52479160	1	DOUBLE GEAR	
24	56471461	1	BUSHING	
25	52479157	1	SPEED GEAR	
26	56371661	0	ADJUSTING RING	

SERIAL

GEARS TRANSMISSION SHAFT / GEARS

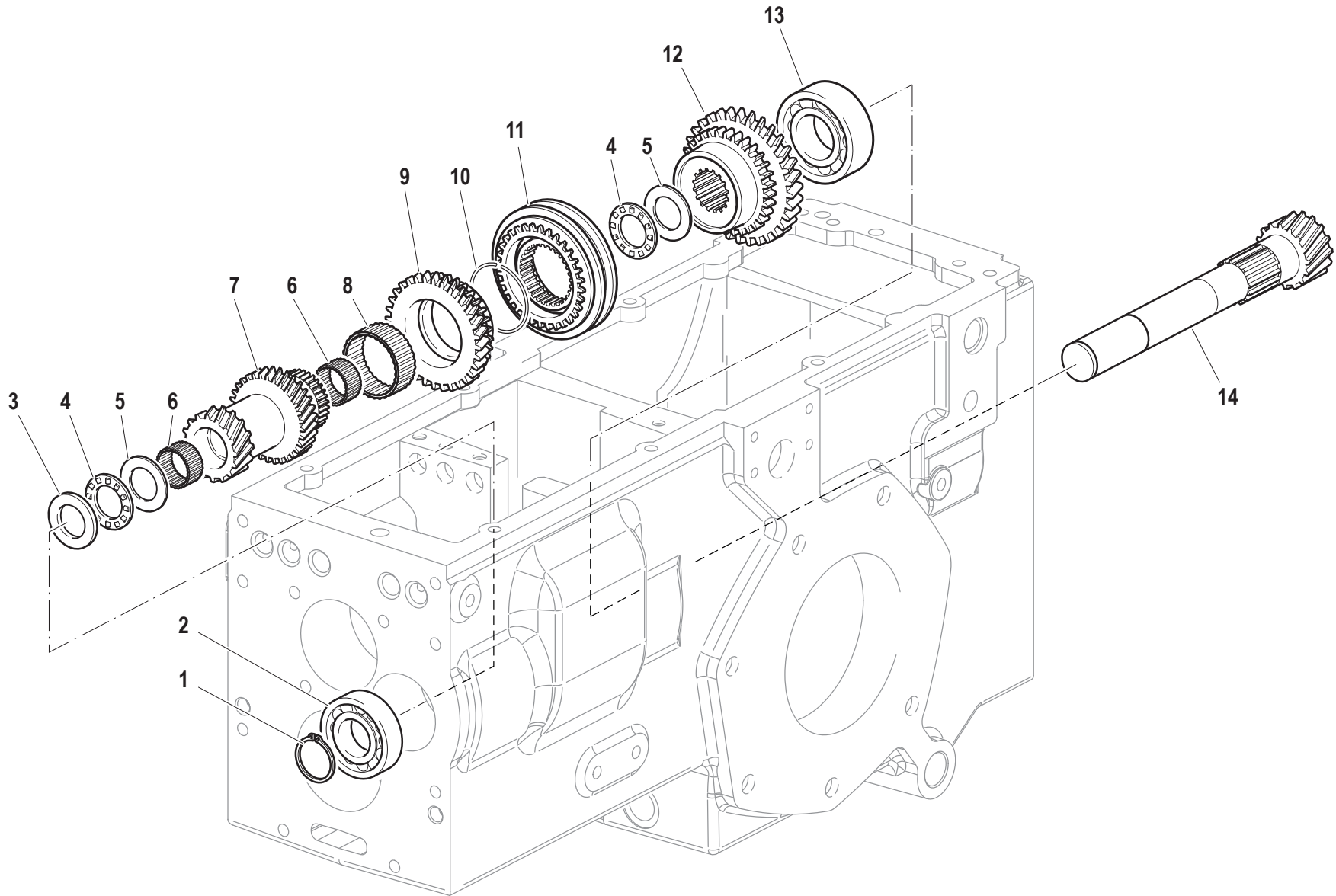
CODE REV

D.07.01.L40019_0



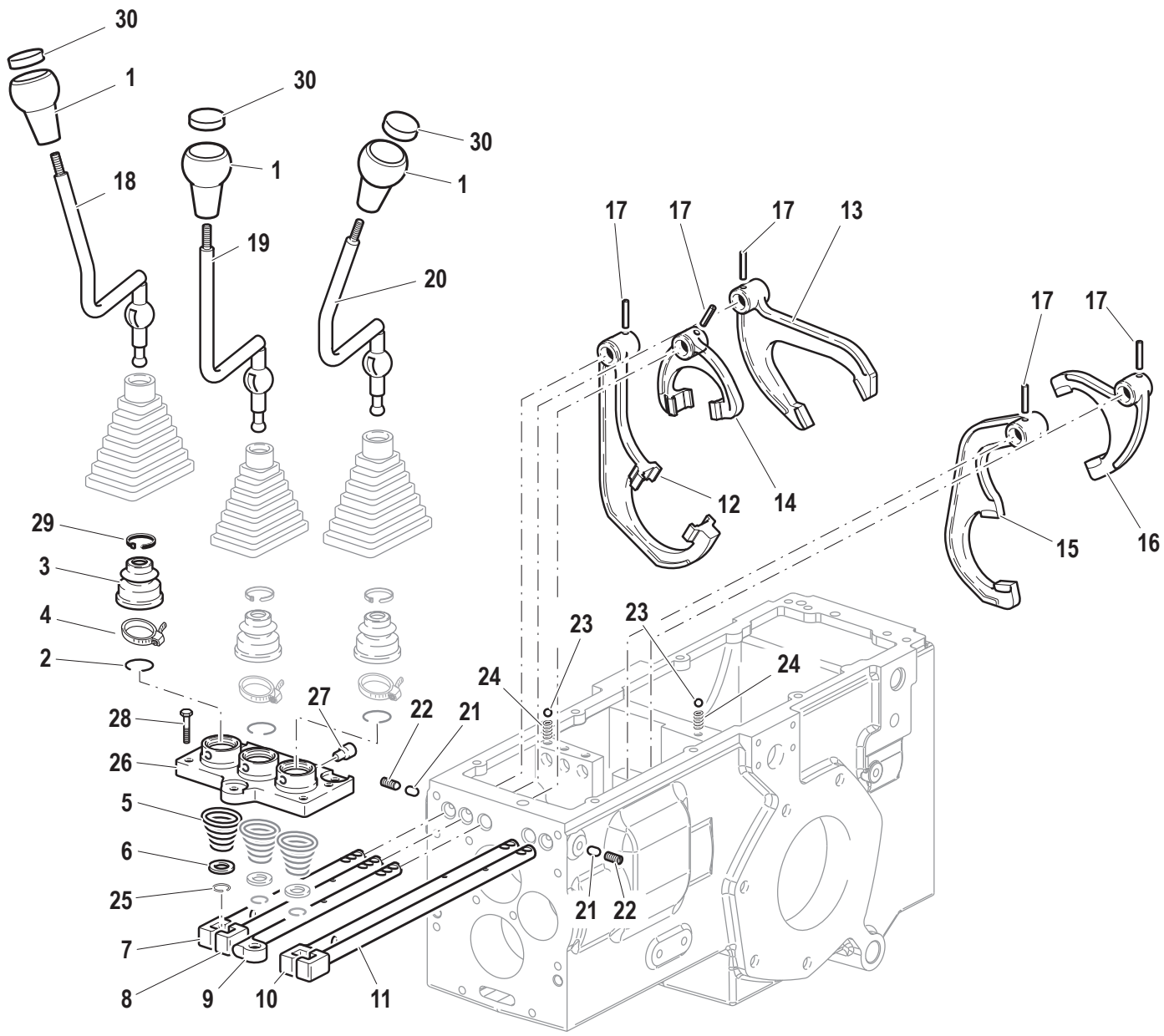
Pos.	Code	Q.ty	Description	Notes
26	56371662	0	ADJUSTING RING	
26	56371663	0	ADJUSTING RING	
26	56371664	0	ADJUSTING RING	
26	56373440	0	ADJUSTING RING	

COUNTERSHAFT AND CORRESPONDING GEARS



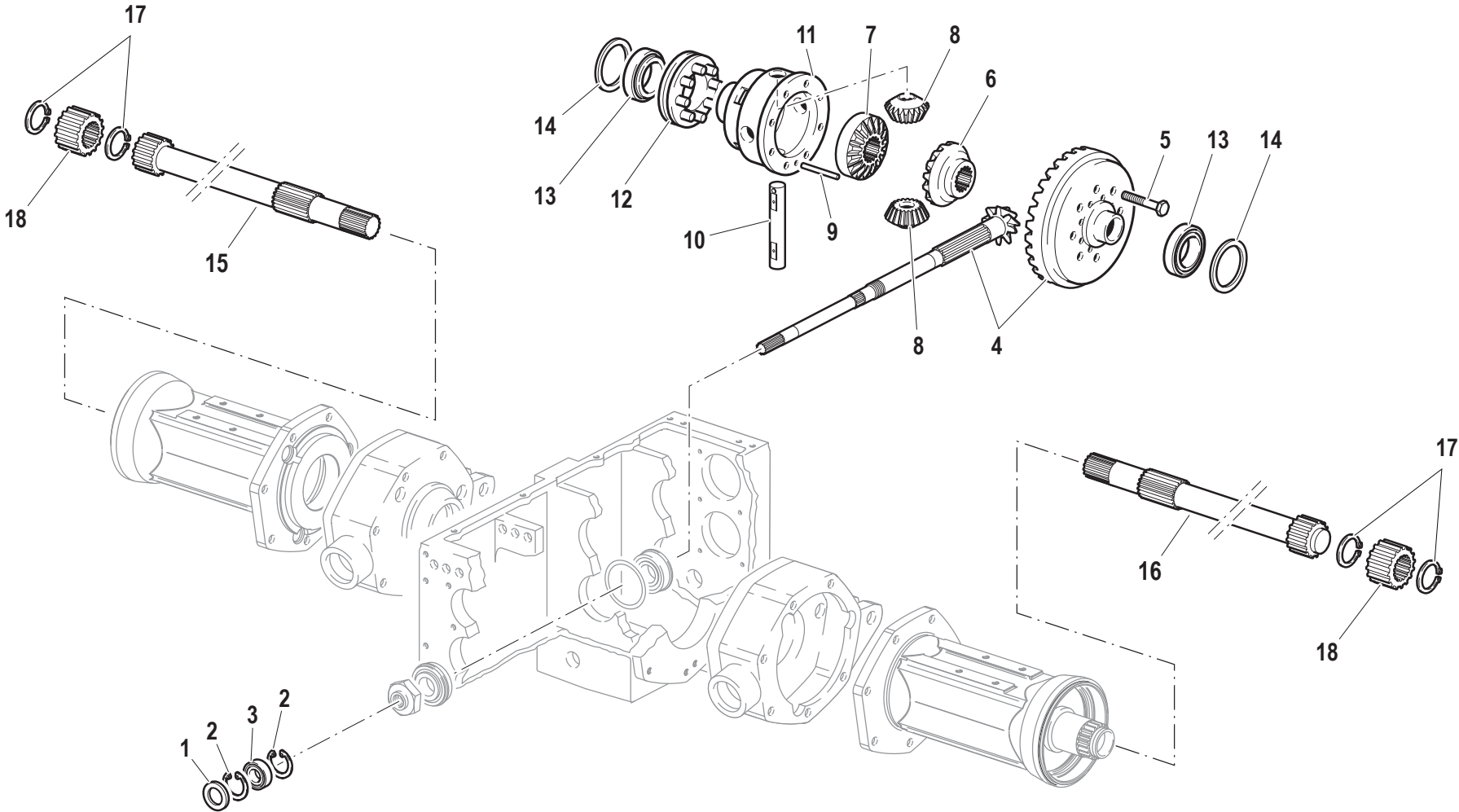
Pos.	Code	Q.ty	Description	Notes
1	35131026	1	SEEGER RING E 25X2 UNI 7436	
2	37120100	1	BEARING	
3	52473791	0	THRUST PLATE	
3	52473815	0	THRUST PLATE	
3	52474239	0	THRUST PLATE	
3	52477987	1	THRUST PLATE	
4	58173790	2	BEARING	
5	58173792	2	THRUST PLATE	
6	52477986	1	THRUST PLATE	
7	52479153	1	CONDUCTOR GEAR	
8	F0812918050	1	ROLLER CAGE K 42X47/17	
9	52479165	1	CONDUCTOR GEAR	
10	58072505	1	SHOULDERED WASHER	
11	58172571	1	LOCK SYNCHRONIZER	
12	52479161	1	CONDUCTOR GEAR	
13	37120000	1	BEARING	
14	52479152	1	DRIVE SHAFT	

CHANGE GEAR CONTROLS

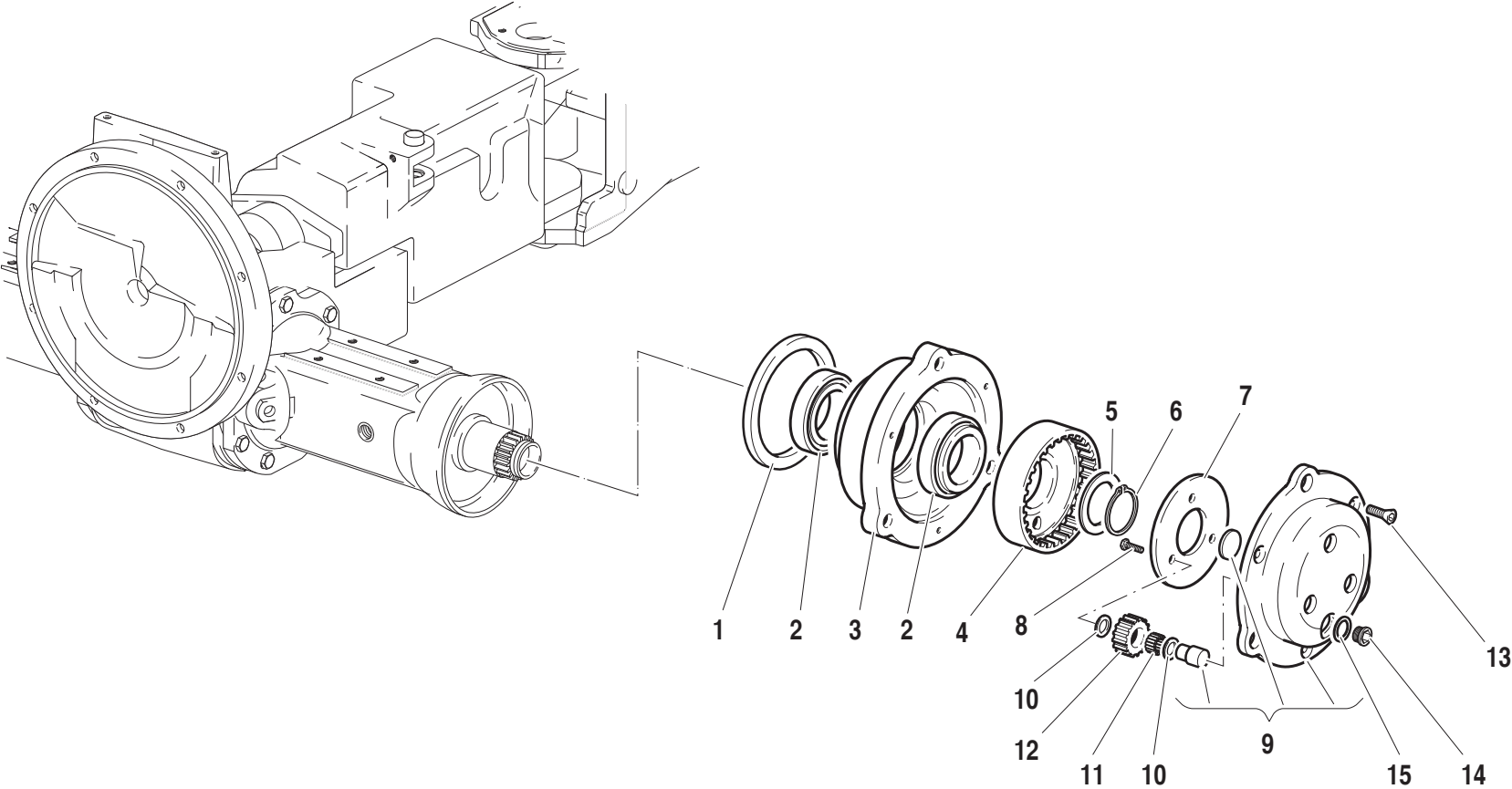


Pos.	Code	Q.ty	Description	Notes
1	581A1577	3	KNOB	
2	58070169	3	LOCKRING	
3	551A1603	3	GEAR LEVERS CAP	
4	F0817500470	3	CLAMP	
5	58070164	3	SPRING	
6	56370172	3	SPACER	
7	56379287	1	PULL ROD	
8	56379290	1	PULL ROD	
9	56379286	1	PULL ROD	
10	56379289	1	PULL ROD	
11	56379288	1	PULL ROD	
12	52275923	1	SELECTOR FORK	
13	52373240	1	SELECTOR FORK	
14	52275924	1	SELECTOR FORK	
15	51272405	1	SELECTOR FORK	
16	51279318	1	GEAR FORK	
17	F0851180000	5	PIN 5X26 DIN 1481 CL:C72	
18	590A2981	1	LEVA COMANDO CAMBIO L60-MONO-	
19	590A2979	1	LEVA COM.INVERSORE L60-MONO-	
20	590A2980	1	LEVA COMANDO GAMME L60-MONO-	
21	56571697	2	TOGGLE	
22	F0863105000	2	SCREW M10X10 UNI 5923	
23	F0847434000	5	BALL	
24	58070741	5	SPRING	
25	58070168	3	LOCKRING	
26	51171621	1	COVER	
27	56370018	6	HINGE PIN	
28	F0862694000	4	SCREW M8X170 UNI 5737	
29	F0817640003	3	CLAMP 4,8x180	
30	561A1576	3	ALU KNOB COVER	

REAR TRANSMISSION

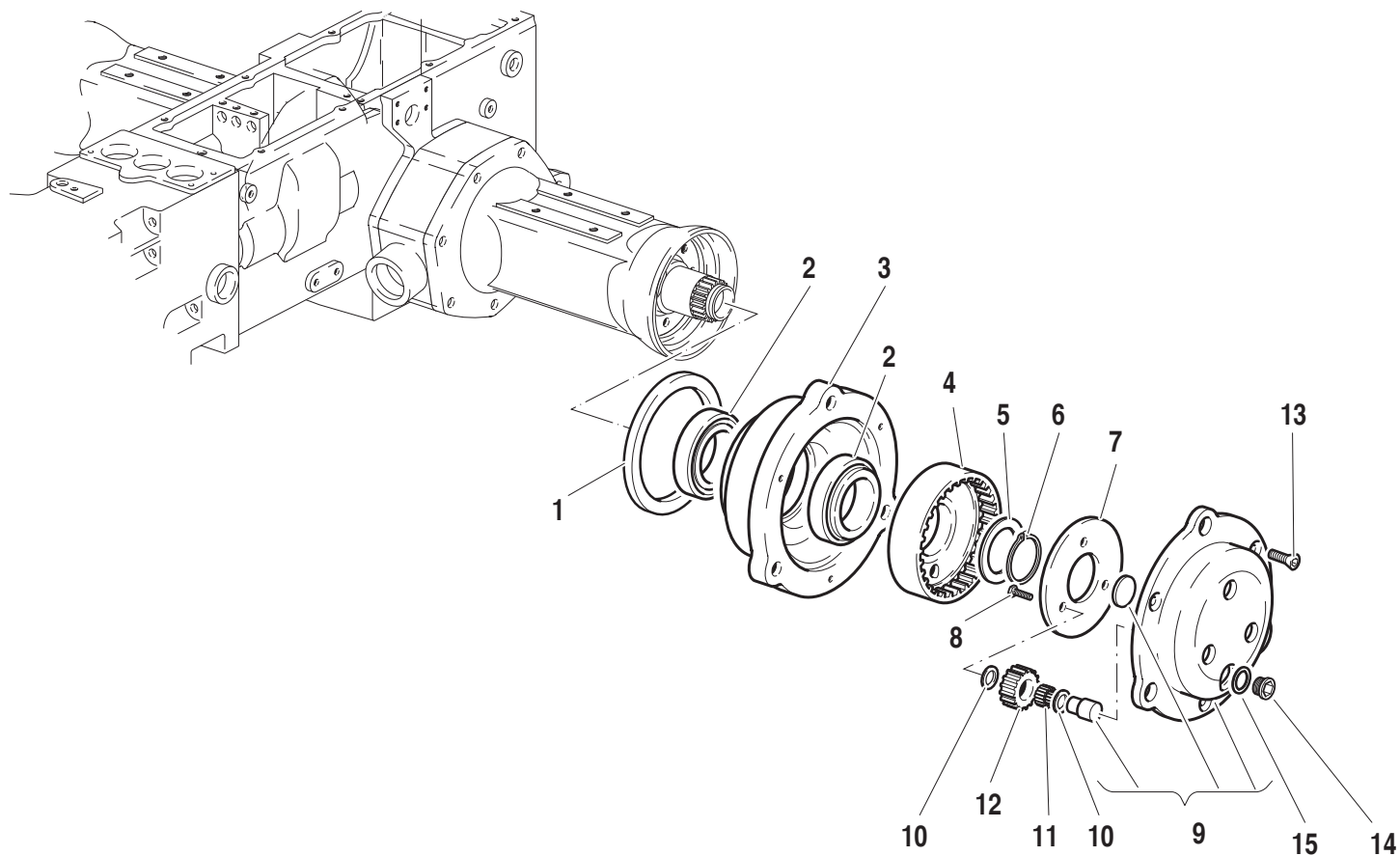


Pos.	Code	Q.ty	Description	Notes
1	38212006	1	OIL SEAL 20x42/7	
2	35111042	2	SEEGER RING I 42 DIN 472	
3	F0812631000	1	BEARING 6004 (20X42/12)	
4	593A2730	1	C/C Z=10/39(POST)L60	
5	F0863267050	8	SCREW M10x25	
6	52471513	1	CROWN WHEEL	
7	52471516	1	CROWN WHEEL	
8	52471509	2	PLANETARY GEAR	
9	56371994	1	PIN	
10	56471508	1	PIN	
11	51374866	1	HOUSING	
12	59071518	1	SLEEVE	
13	F0812895000	2	BEARING 32008 (40X68X19)	
15	52572606	1	REAR AXLE SHAFT	
16	52572605	1	REAR AXLE SHAFT	
17	F0801175050	4	SEEGER RING E 24X1,75 UNI 7436	
18	52473922	2	CROWN WHEEL	
14,1	56371582	1	RING	
14,2	56371583	1	RING	
14,3	56371584	1	RING	
14,4	56371585	1	RING	
14,5	56371586	1	RING	



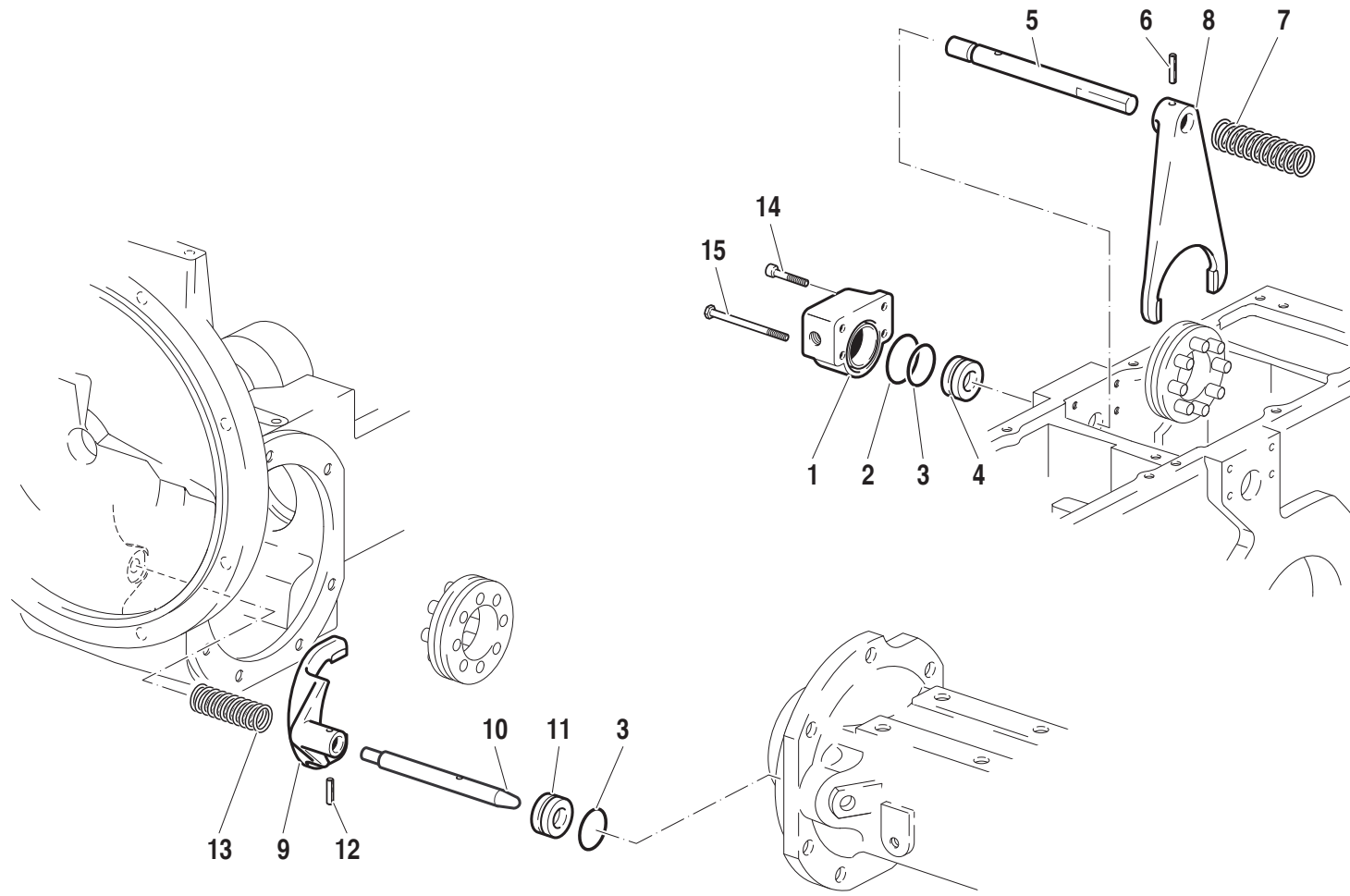
Pos.	Code	Q.ty	Description	Notes
1	F0802700150	2	SEAL 125x150x12	
2	F0812973000	4	BEARING 32011X	
3	51172508	2	HUB	
4	52473920	2	CROWN WHEEL	
5	56371575	0	SHIM	
5	56371576	0	SHIM	
5	56371577	0	SHIM	
5	56371578	0	SHIM	
5	56371579	0	SHIM	
5	56373349	0	SHIM	
5	56373350	0	SHIM	
6	F0801346000	2	SEEGER RING E 48 UNI 7436	
7	56173919	2	ADJUSTING RING	
8	F0862090000	6	SCREW M6X16 8.8	
9	59273944	2	COVER	
10	58171567	12	SHIM	
11	58171653	120	ROLLER	
12	52473921	6	PLANETARY GEAR	
13	F0862655000	6	SCREW M8X25-5933	
14	56370081	2	PLUG	
15	F0844273090	2	GASKET 22X28X1,5 CU 99,5	

REAR REDUCTION

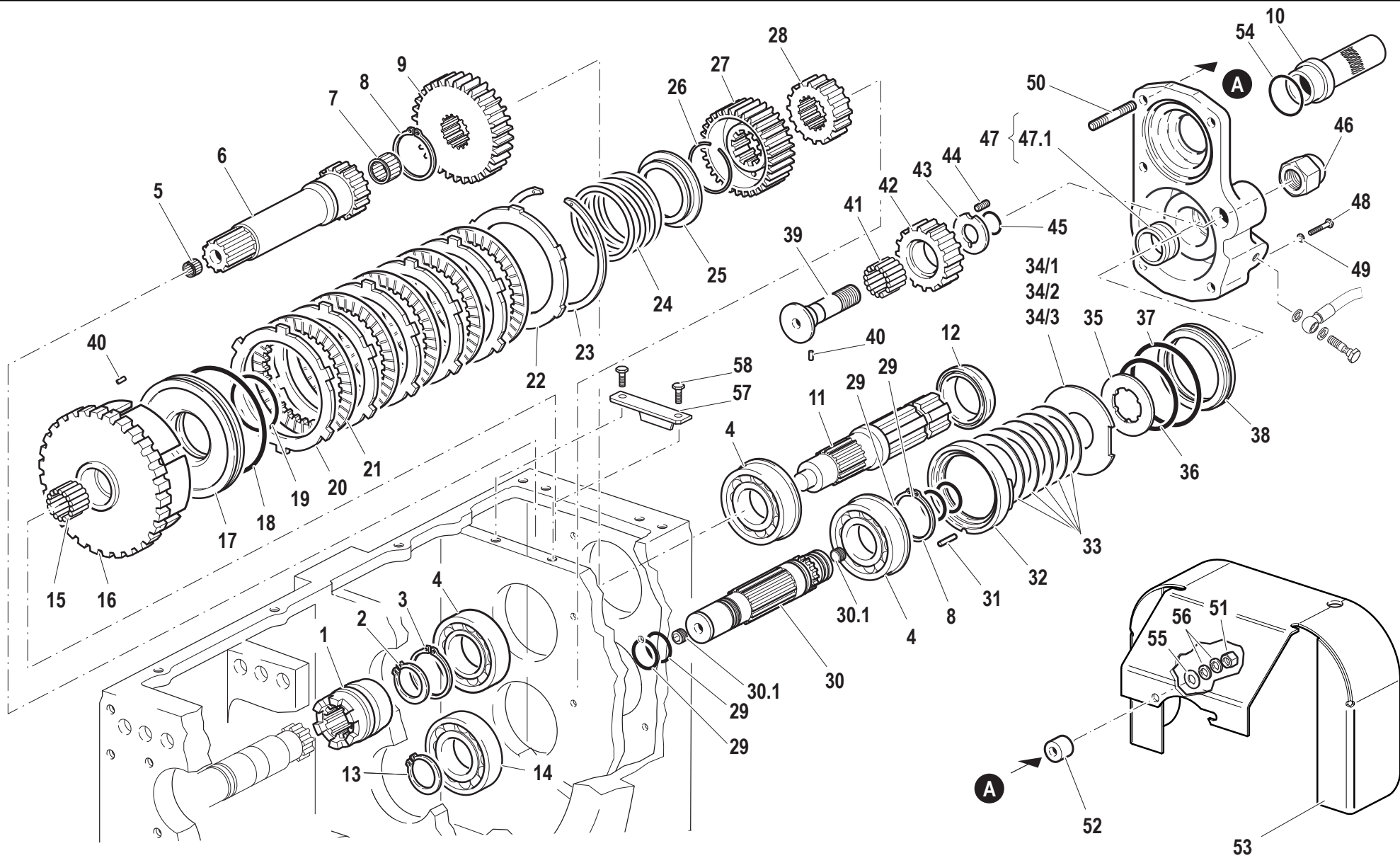


Pos.	Code	Q.ty	Description	Notes
1	F0802700150	2	SEAL 125x150x12	
2	F0812973000	4	BEARING 32011X	
3	51172508	2	HUB	
4	52473920	2	CROWN WHEEL	
5	56371575	0	SHIM	
5	56371576	0	SHIM	
5	56371577	0	SHIM	
5	56371578	0	SHIM	
5	56371579	0	SHIM	
5	56373349	0	SHIM	
5	56373350	0	SHIM	
6	F0801346000	2	SEEGER RING E 48 UNI 7436	
7	56173919	2	ADJUSTING RING	
8	F0862090000	6	SCREW M6X16 8.8	
9	59273944	2	COVER	
10	58171567	12	SHIM	
11	58171653	120	ROLLER	
12	52473921	6	PLANETARY GEAR	
13	F0862655000	6	SCREW M8X25-5933	
14	56370081	2	PLUG	
15	F0844273090	2	GASKET 22X28X1,5 CU 99,5	

DIFFERENTIAL GEAR LOCK (WITH ELECTROHYDRAULIC CONTROL)



Pos.	Code	Q.ty	Description	Notes
1	52372343	1	SMALL BLOCK	
2	F0803209000	1	O-RING 3156	
3	58170195	2	GASKET	
4	56370187	1	PISTON	
5	56371646	1	LOCKING DEVICE	
6	F0851267050	1	PIN 6X30 DIN 7343 CL:C72	
7	58070198	1	SPRING	
8	51271647	1	FORK	
9	51271615	1	FORK	
10	56371613	1	LOCKING DEVICE	
11	56370583	1	PISTON	
12	F0851260000	1	PIN 6X24 DIN 1481	
13	58070205	1	SPRING	
14	31152085	2	SCREW TCEI M8X25 UNI 5931	
15	31112161	2	SCREW TE M8X50 UNI 5737 8G	



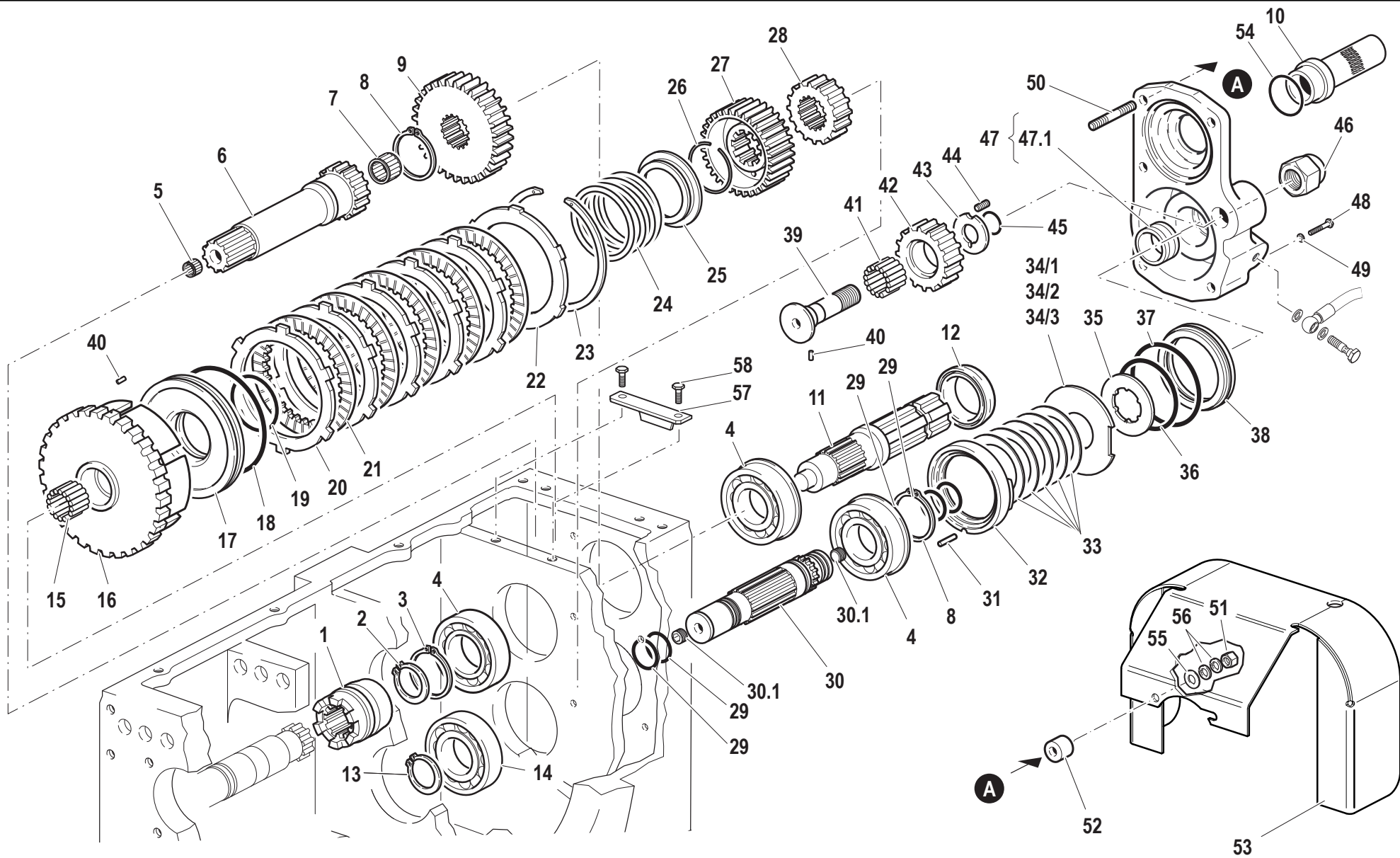
Pos.	Code	Q.ty	Description	Notes
1	52474190	1	GEAR SLEEVE	
2	35121030	1	SEEGER RING E 30 DIN 471	
3	35121035	1	SEEGER RING E 35 DIN 471	
4	F0812849100	3	BEARING 6207-NR	
5	F0812525100	1	BUSHING HK1210-B	
6	524A2771	1	CONTROL SHAFT PDF INDIP-60-	
7	F0812599090	1	ROLLER CAGE K 18x24/20	
8	F0801264050	2	SEEGER RING E 35X2,5 U/7436	
9	52472325	1	DRIVEN GEAR	
10	P47033000000	1	GUARD	
11	52472273	1	SHAFT	
12	F0802190010	1	SEAL 42x62/7	
13	35121031	1	SEEGER RING E 30 UNI 7436	
14	37111303	1	BEARING	
15	F0812736010	1	ROLLER CAGE K 30X35/20 H	
16	564A2770	1	CAMP.FRIZ.DENT.PDF INDIP.L60	
17	53272293	1	PISTON	
18	58172400	1	GASKET	
19	58172402	1	GASKET	
20	58172447	5	DISC	
21	58172448	5	DISC	
22	52372292	1	RING	
23	58072389	1	CIRCLIP	
24	58074092	1	RESTORING SPRING	
25	563A2120	1	ANELLO MOLLA RICH.STANTUFFO	
26	58072399	1	SAFETY RING	
27	52472342	1	DISC HUB	
28	52472322	1	DRIVEN GEAR	
29	58072398	4	SEAL	
30	524A1191	1	SHAFT	
31	F0851226000	1	PIN 6X12 UNI 1707 CL:C20	
32	56472368	1	SPACER	
33	58072382	5	CUP SPRING	
35	56475844	1	CLUTCH DISC	

SERIAL

POWER TAKE-OFF WITH INDEPENDENT CLUTCH

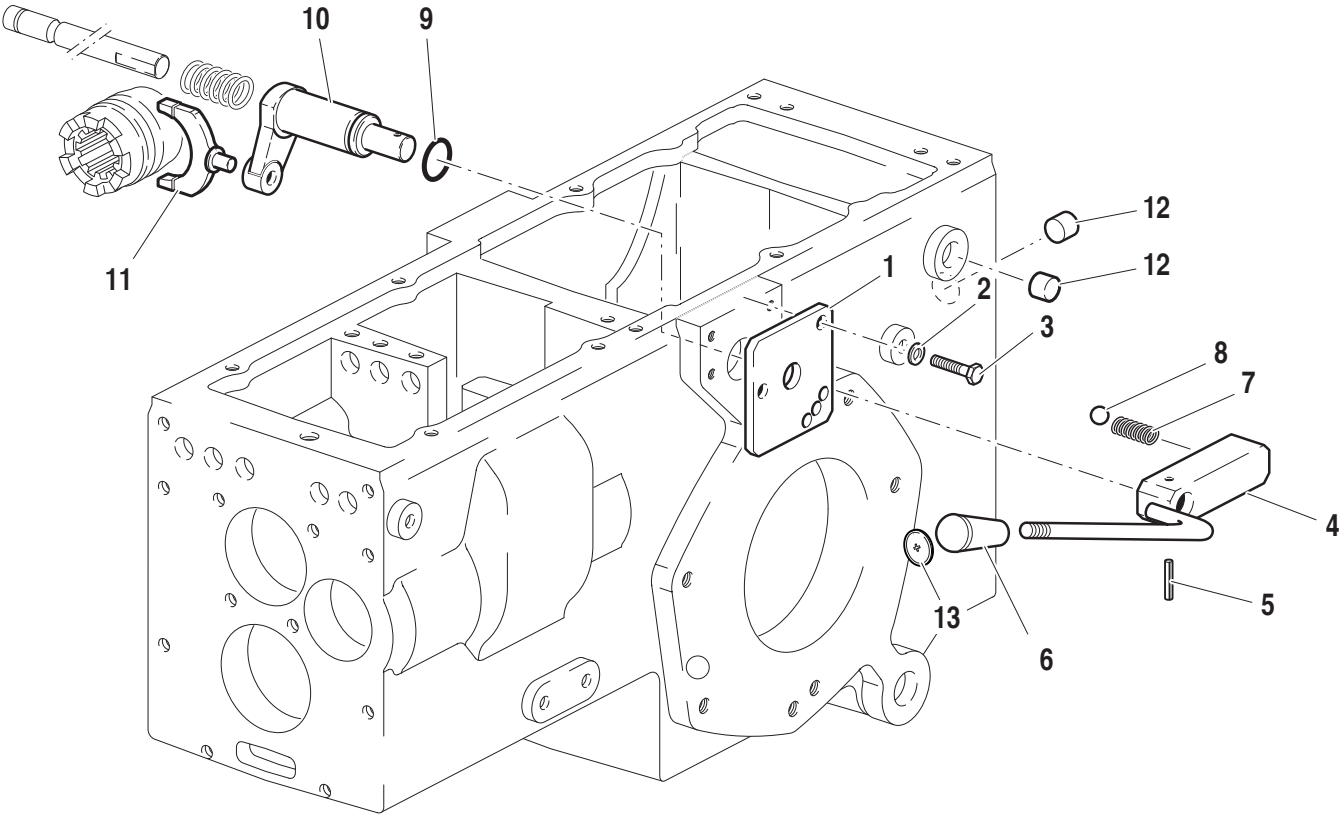
CODE REV

D.13.01.L40019_0

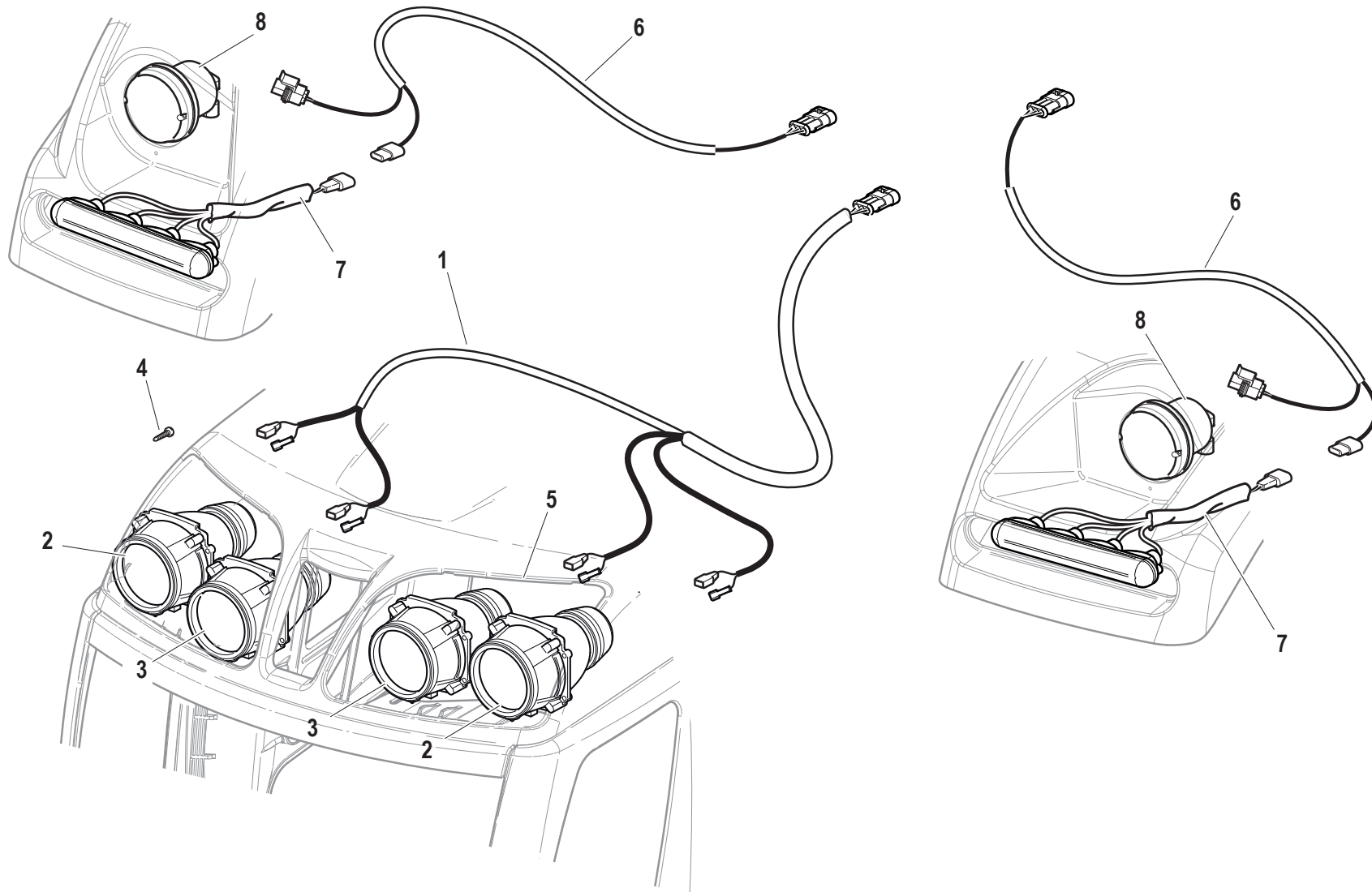


Pos.	Code	Q.ty	Description	Notes
36	38116317	1	RING	
37	38117680	1	O-RING 4300 (75,80X3,53)	
38	53273000	1	PISTON	
39	52473001	1	GEAR PIN	
40	F0851018000	2	CYLINDRICAL PLUG 3X6 UNI 1707	
41	58172351	17	ROLLER	
42	52472324	1	PTO GEAR	
43	56472390	1	SHIM	
44	F0862473050	1	GRAIN	
45	F0803186000	1	O-RING 123	
46	F0814797000	1	SELFLOCK NUT M16X1,5	
47	59276030	1	COVER	
48	F0862448100	1	SCREW M8X10 UNI 5740	
49	F0843641000	1	COPPER WASHER 8x14/1,5	
50	F0838166018	5	STUD BOLT M8X45 UNI 5911 8.8	
51	31211080	5	NUT M8	
52	56172080	2	SPACER	
53	560A1035	1	P.T.O. PROTECTION	
54	P47043300000	1	PROTECTIVE RING	
55	31411084	1	WASHER 8,4x17	
56	F0843643060	2	WASHER 8	
57	561A2163Z	1	PIASTR.FERMA CUSC.36-48CV-ZINC	
58	F0861929060	2	SCREW M5X12 UNI 5739	
30,1	F0852578060	2	CONICAL PLUG	
47,1	56472377	1	BUSHING	
34,01	56472374	1	BRAKE DISC	
34,02	56472375	1	BRAKE DISC	
34,03	56472376	1	BRAKE DISC	

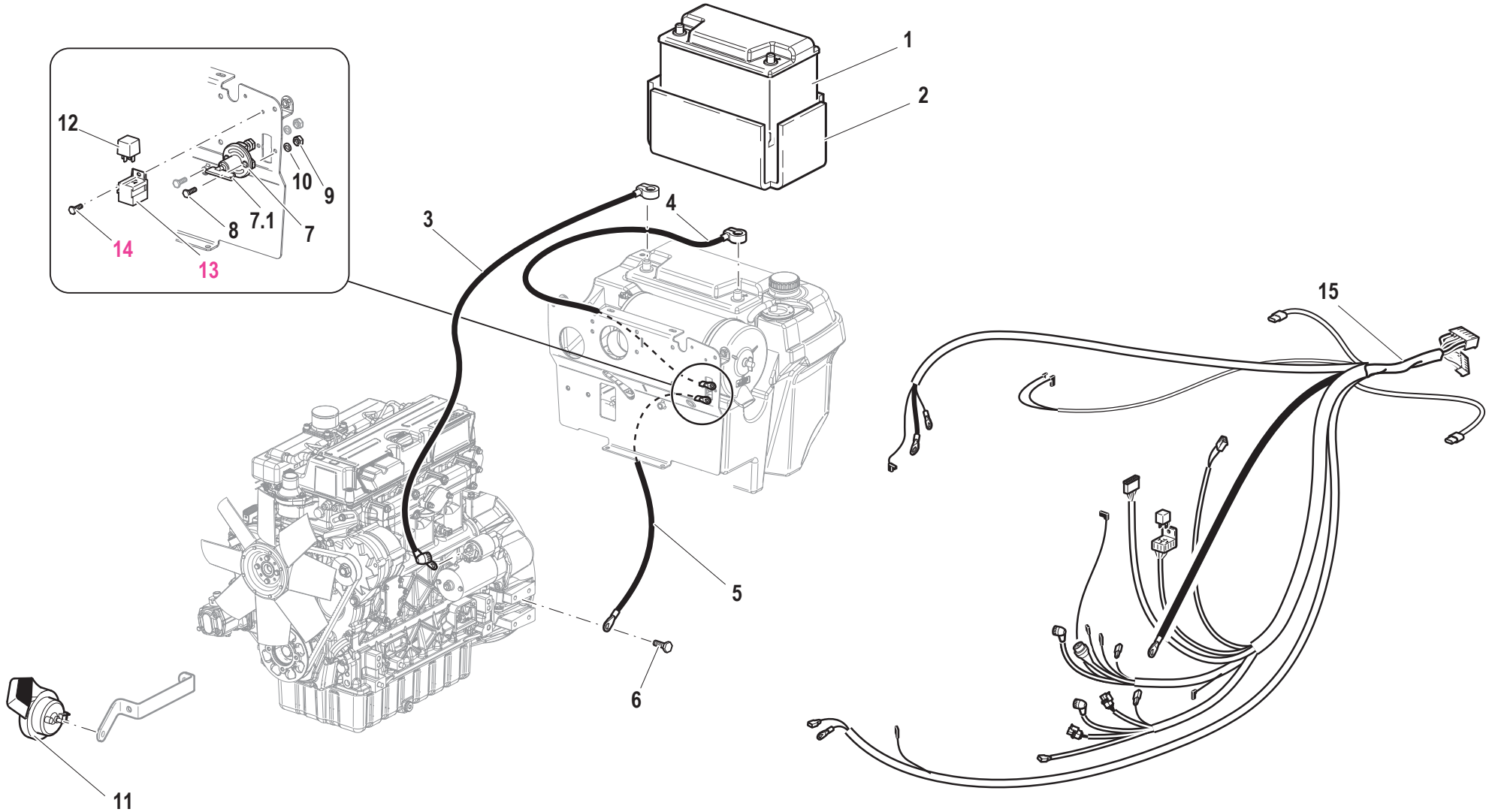
INDIPENDENT CLUTCH - POWER TAKE-OFF CONTROLS



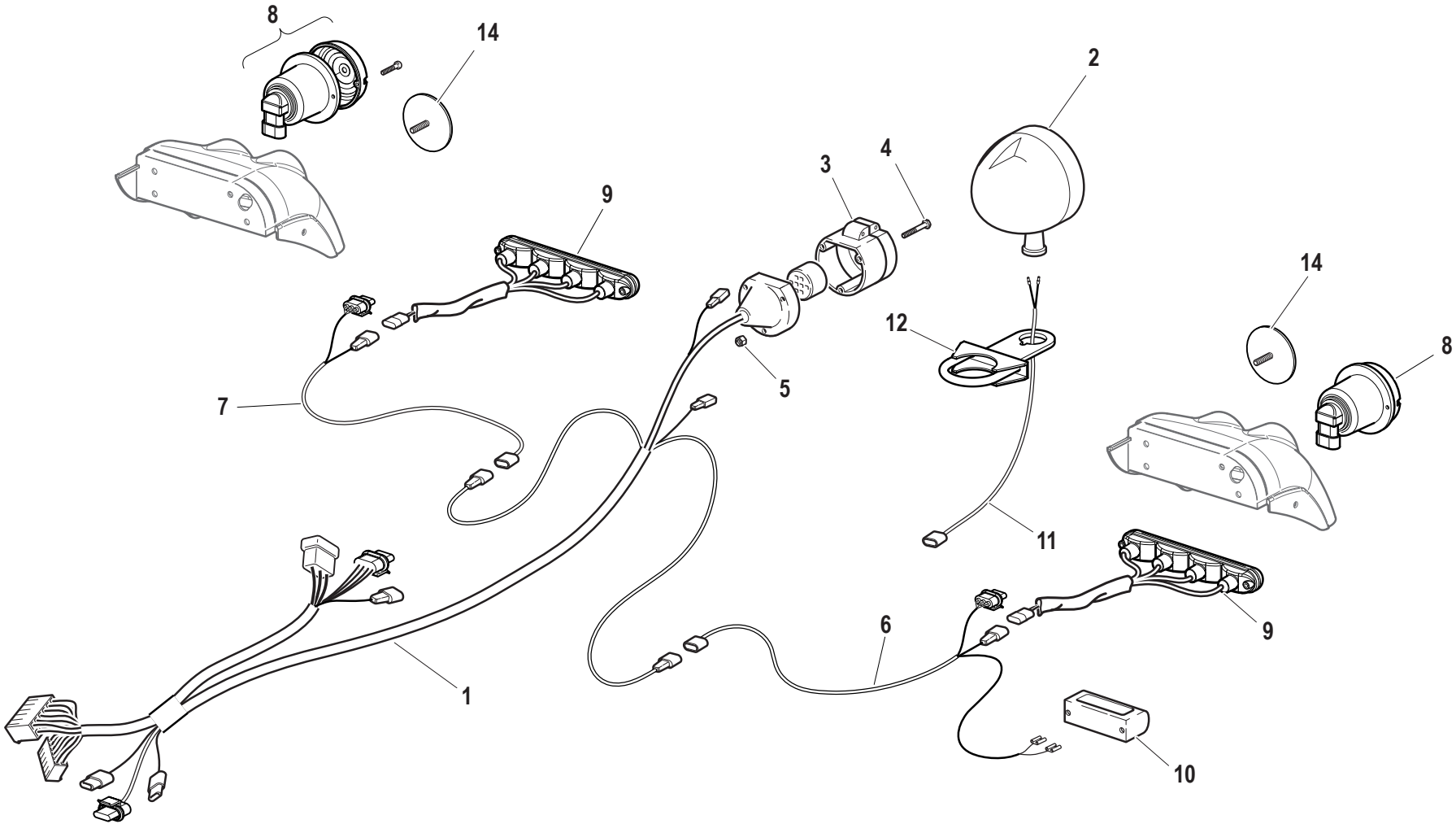
Pos.	Code	Q.ty	Description	Notes
1	59072754	1	PLATE	
2	F0843643060	2	WASHER 8	
3	31112150	2	SCREW TE M8X20 UNI 5739 8G	
4	59072761	1	LEVER	
5	34211054	1	ROLL PIN	
6	552A1549	1	DEVICE GRIP	
7	58070741	1	SPRING	
8	F0847434000	1	BALL	
9	38112200	1	O-RING 3087 (22,00X2,62)	
10	52371679	1	LEVER	
11	52472430	1	SELECTOR FORK	
12	56173016	2	PLUG	
13	F0852550240	1	DECAL	



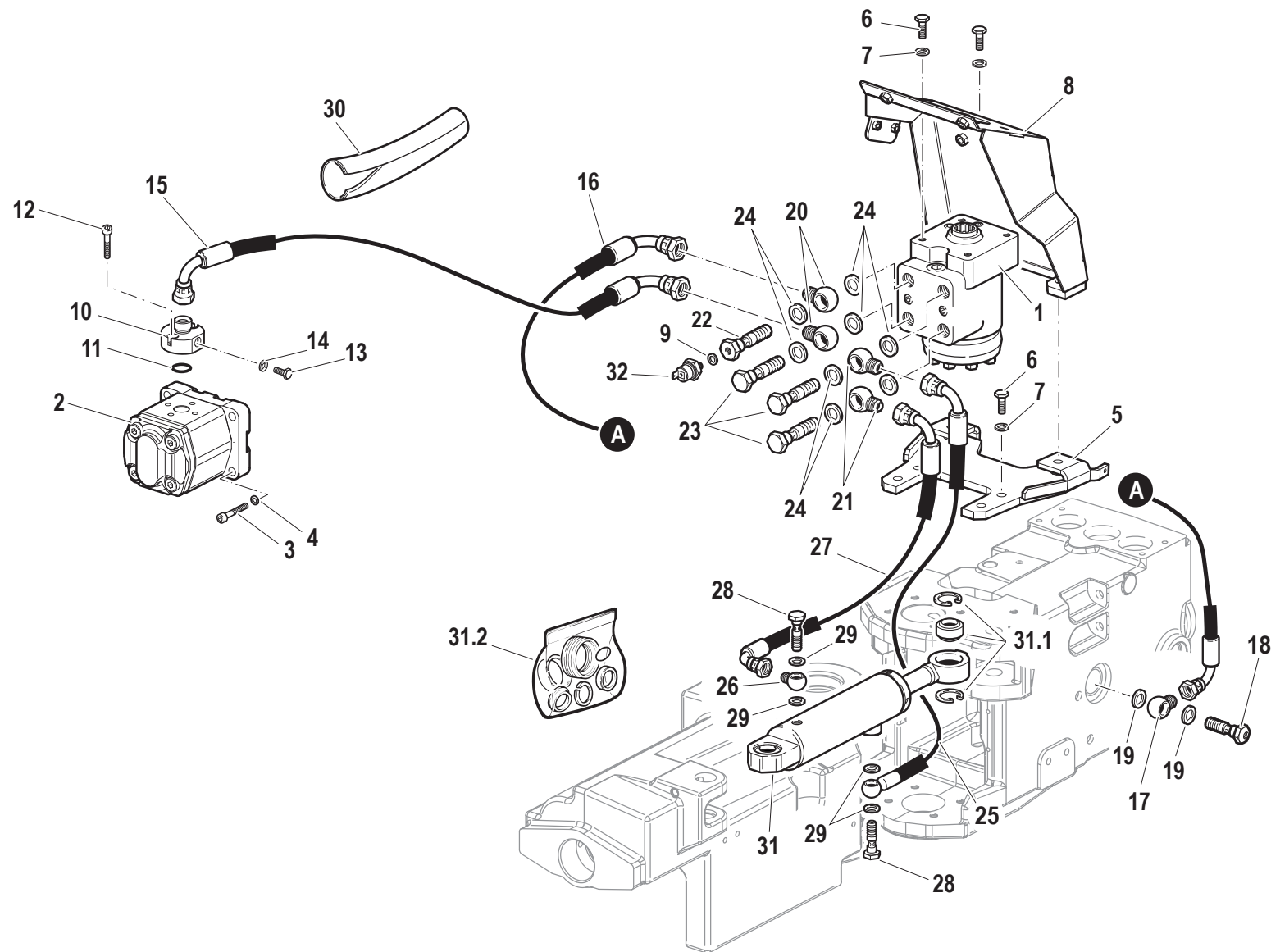
Pos.	Code	Q.ty	Description	Notes
1	580A0478	1	CABLE	
2	581A0071	2	OPTICAL GROUP	
3	58176395	2	OPTICAL GROUP	
4	F0861867050	16	SCREW M4,2X19 DIN 7981	
5	58176743	4	CAP	
6	580A0479	2	CABLE	
7	58176406	4	INDICATOR	
8	581A0988	2	LAMP	



Pos.	Code	Q.ty	Description	Notes
1	F0825480100	1	BATTERY	
2	F0190018909	1	LINING	
3	580A2282	1	CAVO BATTERIA-MOTORINO 75-95	
4	580A3035	1	CAVO SUPERIORE MASSA K60-V65	
5	580A3036	1	CAVO INFERIORE MASSA K60-V65	
6	31112900	1	SCREW TE M10X1,25X20 UNI5740	
7	30000646	1	STACCA BATTERIA 08098780	
8	31112093	2	SCREW TE M6X20 UNI 5739 8G	
9	31211060	2	NUT M6	
10	F0843570000	2	WASHER 6	
11	F0825417000	1	HORN	
12	59901507	1	RELAIS 40A (O202051011)	
15	580A2744	1	CAVO ANTER.MOTORE L60 (A3973)*	
7,1	59901597	1	CHIAVE STACCA BATT.(78099044)	



Pos.	Code	Q.ty	Description	Notes
1	580A2750	1	CAVO CENTRALE L60-MONO-	
2	F0825493000	1	HEADLIGHT	
3	F0825438000	1	SOCKET	
4	F0861941000	3	SCREW M5X35 UNI 6107	
5	31211050	3	NUT M5	
6	580A2757	1	CAVO LUCI POST.SX K60-V65	
7	580A0481	1	CABLE	
8	58176396	2	LAMP	
9	58176406	4	INDICATOR	
10	30000506	1	LAMP	
11	58077305	1	CABLE	
12	59077242	1	SUPPORT	
14	58177330	2	REFLECTOR	



Pos.	Code	Q.ty	Description	Notes
1	58178953	1	HYDROSTEERING	
2	581A2799	1	POMPA IDROGUIDA L60	
3	31152060	4	SCREW TCEI M6X30 UNI 5931	
4	F0843570000	4	WASHER 6	
5	590A3196	1	PIASTRA SUPP.IDROG.L60-AR-M	
6	31112219	6	SCREW TE M10X25 UNI 5739	
7	F0843755000	6	WASHER 10	
8	590A0013	1	HOLDER COUPLING	
9	F0843841000	1	COPPER WASHER 12,0x18/1,5	
10	F0825809000	1	PRESSURE PIPE CONNECTOR	
11	F0803185000	1	O-RING 3068 (17,12x2,62)	
12	31152057	2	SCREW TCEI M6X16 UNI 5931	
13	F0862462010	1	SCREW M8X1/12 UNI5740	
14	F0824022000	1	SPECIAL GASKET D.8,4X12/1	
15	580A3279	1	TUBO FLESSIBILE L60-MONO-	
16	580A3282	1	TUBO FLESSIBILE L60-MONO-	
17	F0842505030	1	PIPE FITTING	
18	F0843109020	1	PIPE FITTING	
19	F0824110000	2	COPPER WASHER 3/8 GAS	
20	F0842512000	2	PIPE FITTING	
21	F0835040030	2	PIPE FITTING	
22	56176054	1	THREADED TERMINAL END	
23	F0843116000	3	PIPE FITTING 1/2	
24	F0824141000	8	COPPER WASHER 21x27/1,5	
25	580A0503	1	TUBO FLESS.IDR/CIL.55-65AR-M	
26	58170930	1	PIPE FITTING	
27	580A0504	1	TUBO FLESS.IDR/CIL.55-65AR-M	
28	F0843109000	2	PIPE FITTING 14x1,5	
29	F0843948000	4	COPPER WASHER 14,0x20/1,5	
30	573A3257	1	RIPARO TUBI IDROGUIDA L60-MONO	
31	58174019	1	STEERING CYLINDER	
32	58173399	1	PRESSURE SWITCH	
31,010000	59900178	1	BUSHINGS KIT	
31,020000	59900247	1	GASKET SET	

SERIAL

HYDR. POWER STEERING

CODE REV

F.01.01.L40019_0

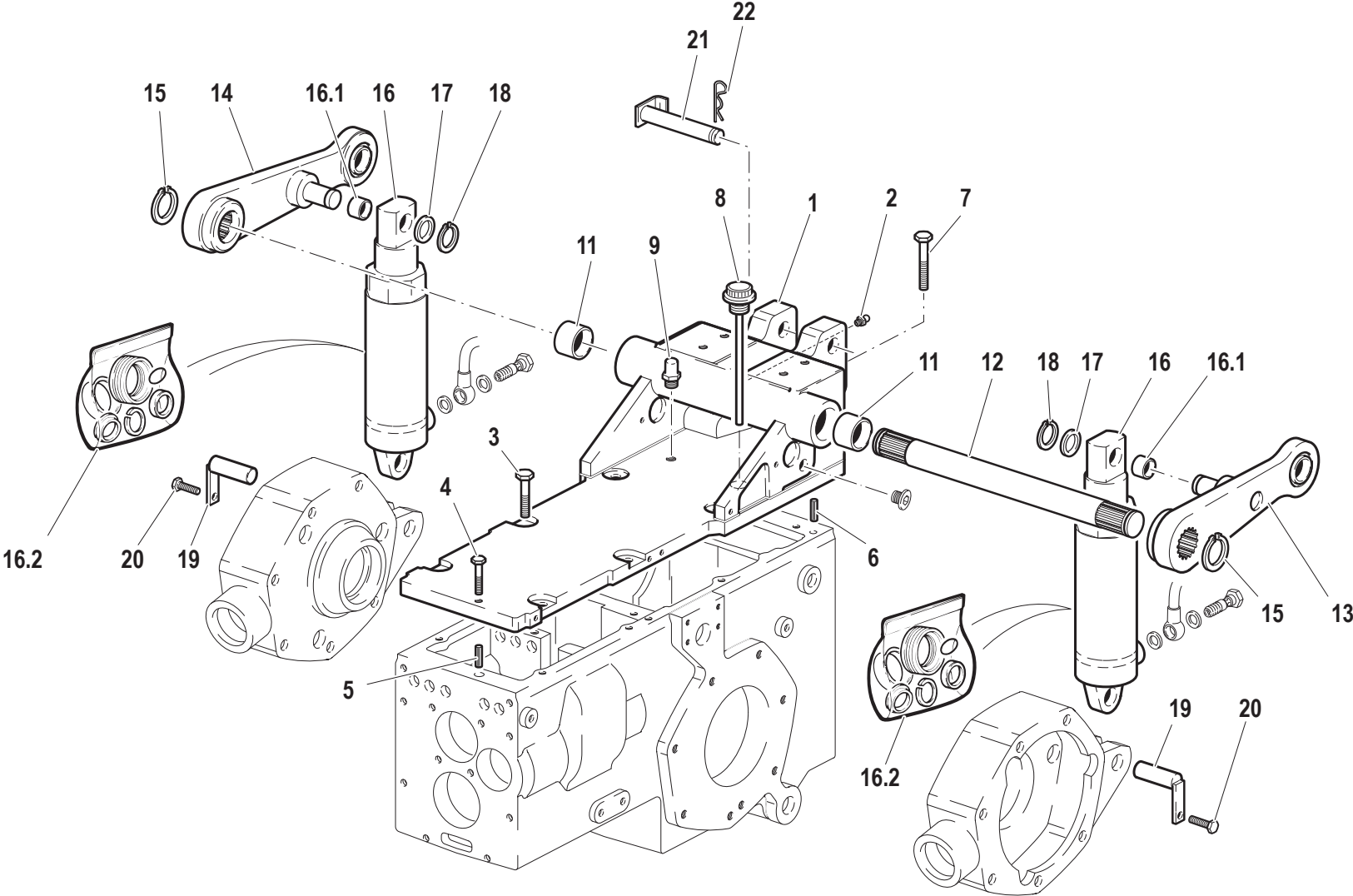
Pos.	Code	Q.ty	Description	Notes
1	56172749	1	SMALL BLOCK	
2	58172463	2	ELECTRO VALVE	
3	59271011	1	UNIT	
4	F0843948000	1	COPPER WASHER 14,0x20/1,5	
5	F0862345000	2	SCREW M6X40 UNI 5737	
6	F0843570000	2	WASHER 6	
7	56172759	1	BRACKET	
8	31112150	2	SCREW TE M8X20 UNI 5739 8G	
9	F0843643060	2	WASHER 8	
10	F0843841000	1	COPPER WASHER 12,0x18/1,5	
11	F0852538020	1	PLUG	
12	59072788	1	PRESSURE PIPE	
13	56170413	1	PIPE FITTING	
14	59072780	1	EXHAUST	
15	59072783	1	PRESSURE PIPE	
16	59072779	1	PRESSURE PIPE	
17	F0843109020	1	PIPE FITTING	
18	F0824110000	2	COPPER WASHER 3/8 GAS	
19	F0843107000	5	PIPE FITTING GAS 1/4	
20	F0843907000	15	COPPER WASHER 13,66x19/1,5	
21	F0843771000	2	COPPER WASHER 10,0x16/1	
22	F0843526000	1	WASHER 4,3x12/1,5	
23	F0803072050	1	O-RING 2093 (23,52x1,78)	
24	38112982	1	O-RING	
25	F0844200050	1	COPPER WASHER 20,0x26/1,5	
26	56372474	1	PIPE CONNECTION	
27	F0843641000	1	COPPER WASHER 8x14/1,5	
28	F0862448100	1	SCREW M8X10 UNI 5740	
29	59379589	1	COMPLETE MAX PRESSURE VALVE	
30	580A1227	1	MOLLA VALV.MAX.PRESS.36-65	
31	F0803199010	1	O-RING 132 (23,81X2,62)	
32	F0843102050	1	PIPE FITTING M10x1,25	
33	58074558	1	PIPE FITTING	
34	580A3278	1	TUBO FLESSIBILE L60	

SERIAL

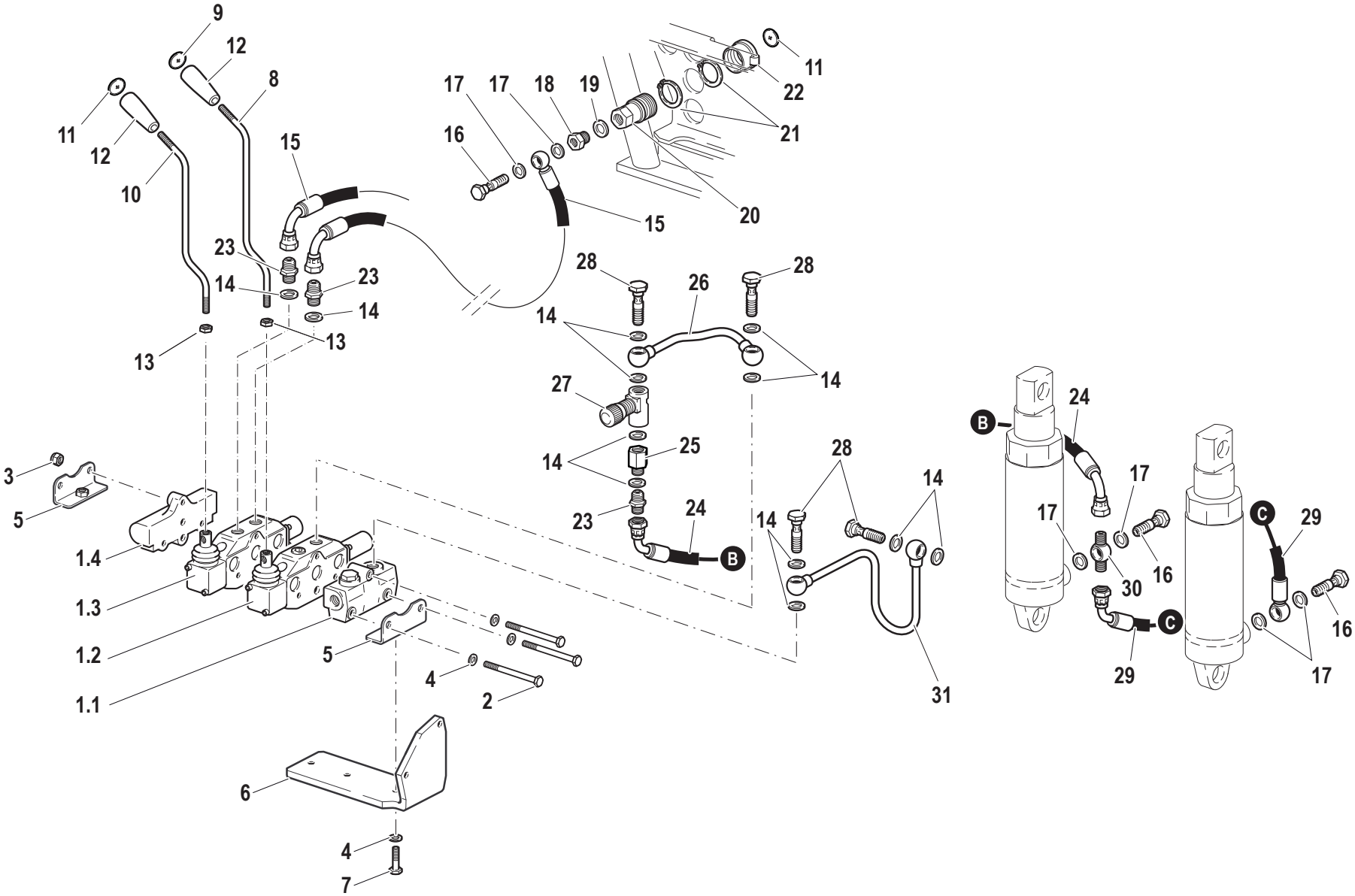
**P.T.O. WITH INDEPENDENT CLUTCH - DIFFERENTIAL GEAR LOCK WITH
ELECTROHYDRAULIC CO**

CODE REV

F.02.01.L40019_0



Pos.	Code	Q.ty	Description	Notes
1	511A1363	1	ROCKSHAFT SUPPORT	
2	F0826056000	1	LUBRICATOR M10 UNI 7663A	
3	31112219	6	SCREW TE M10X25 UNI 5739	
4	31112154	1	SCREW TE M8X40 UNI 5739 8G	
5	56170017	1	PIN	
6	56370228	1	CYLINDRICAL PLUG	
7	31112212	4	SCREW TE M10X35 UNI 5739	
8	58071805	1	PLUG	
9	30040005	1	PLUG	
11	58171861	2	BUSHING	
12	56571785	1	SHAFT	
13	59071783	1	LIFTING ARM	
14	59071771	1	RIGHT ARM	
15	F0801264050	2	SEEGER RING E 35X2,5 U/7436	
16	58071534	2	LIFTING CYLINDER	
17	56172905	2	THRUST PLATE	
18	35121022	2	SEEGER RING E 20 UNI 7436	
19	590A1645	2	PERNO INCERN.CILINDRO 36-65	
20	31111151	2	SCREW TE M8X16 UNI 5739 8G	
21	59078588	1	CONNECTING BOLT	
22	F0851486000	1	SPLIT PIN	



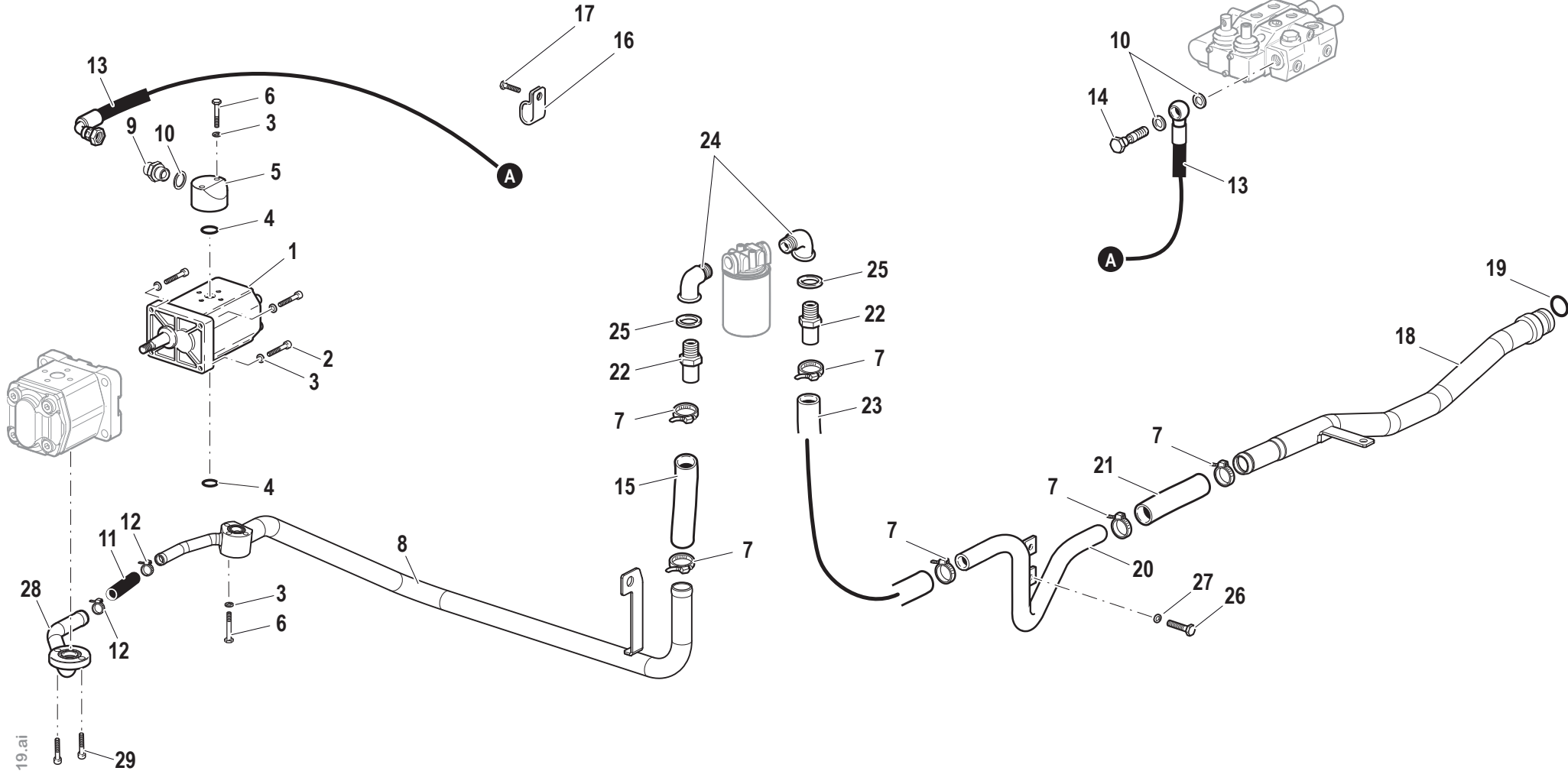
Pos.	Code	Q.ty	Description	Notes
2	31112178	3	SCREW TE M8X130 UNI 5737	
3	31211080	1	NUT M8	
4	F0843643060	3	WASHER 8	
5	59072057	1	FIXING BRACKET	
6	56172561	1	RETAINER	
7	31112146	1	SCREW TE M8X22 UNI 5739 8G	
8	56172769	2	COMMAND LEVER	
9	F0852550210	1	DECAL	
10	56172770	1	COMMAND LEVER	
11	F0852550200	3	DECAL	
12	552A1549	2	DEVICE GRIP	
13	31211100	1	NUT M10	
14	F0824110000	12	COPPER WASHER 3/8 GAS	
15	58072138	2	FLEXIBLE HOSE	
16	F0843107000	4	PIPE FITTING GAS 1/4	
17	F0843907000	6	COPPER WASHER 13,66x19/1,5	
18	F0835040020	4	REDUCTION	
19	F0824141000	2	COPPER WASHER 21x27/1,5	
20	F0825980030	2	COUPLING	
21	F0801282000	4	SEEGER RING E 38 UNI 7435	
22	F0852550100	2	PLUG	
23	F0835023000	3	NIPPLE	
24	58075372	1	FLEXIBLE HOSE	
25	30000200	1	EXTENSION	
26	59075386	1	PRESSURE PIPE	
27	P24117100000	1	VALVE	
28	F0843109020	4	PIPE FITTING	
29	58072269	1	FLEXIBLE HOSE	
30	F0842519050	1	PIPE FITTING	
31	59073160	1	EXHAUST	
1,1000000	58172304	1	HEAD	
1,2000000	58172011	1	S.A. VALVE	
1,2999999	58172012	1	D.A. VALVE	
1,3999999	58172489	1	COVER	

SERIAL

HYDRAULIC SYSTEM

CODE REV

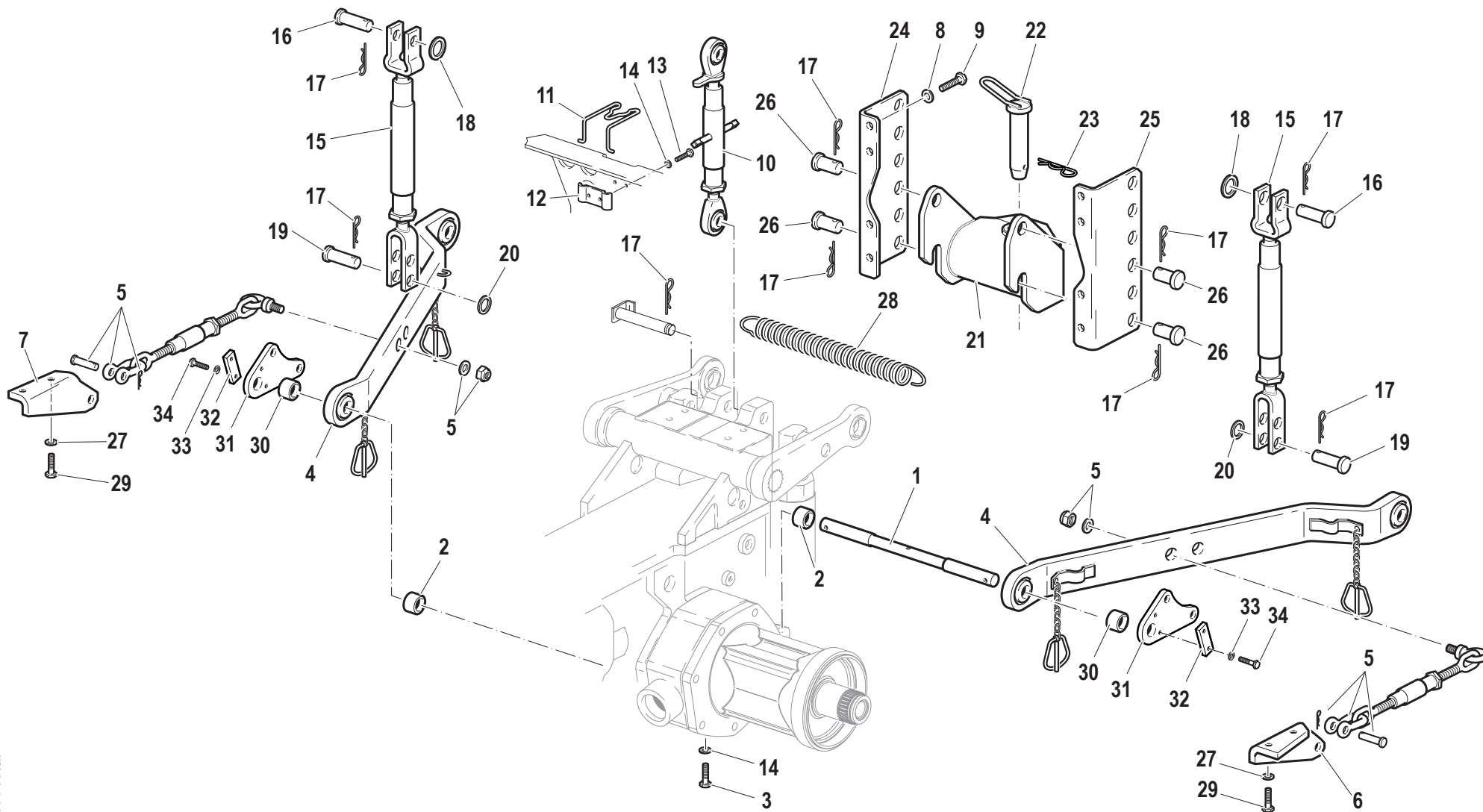
L.02.01.L40019_0



L.02.02.L40019.ai

Pos.	Code	Q.ty	Description	Notes
1	581A2798	1	POMPA SOLLEVATORE L60	
2	31152060	4	SCREW TCEI M6X30 UNI 5931	
3	F0843570000	9	WASHER 6	
4	F0803185000	3	O-RING 3068 (17,12x2,62)	
5	561A3239	1	RACC.TUBO POMPA SOLL.L60	
6	F0862345000	5	SCREW M6X40 UNI 5737	
7	30021145	6	CLAMP 24-45 HTM 175L	
8	590A3221	1	TUBO FILTRO ASP.POMPA SOLL.L60	
9	30000197	1	NIPPLE	
10	F0824110000	3	COPPER WASHER 3/8 GAS	
11	F0256612913	0	PIPE	
12	30021125	2	CLAMP 16-27 SX9CW1016027	
13	580A3277	1	TUBO FLESSIBILE L60	
14	F0843109020	1	PIPE FITTING	
15	58173543	1	FLEXIBLE HOSE	
16	58073300	1	HOSE CLIP	
17	31112270	2	SCREW TE M12X20 UNI 5739	
18	590A3275	1	TUBO ASPIRAZIONE POST.L60-AR-	
19	38112507	1	O-RING 3100 (25,07X2,62)	
20	590A0569	1	TUBO INTERM.ASPIRAZ.55-65-AR-	
21	58170352	1	FLEXIBLE HOSE	
22	56170350	2	PIPE FITTING	
23	58173506	1	FLEXIBLE HOSE	
24	F0840563000	2	PIPE FITTING	
25	F0824185000	2	COPPER WASHER 26X34X1,5	
26	31111151	2	SCREW TE M8X16 UNI 5739 8G	
27	F0843643060	2	WASHER 8	
28	590A3223	1	TUBO ASP.POMPA IDROGUIDA L60	
29	31152057	2	SCREW TCEI M6X16 UNI 5931	

3 POINTS ATTACHMENT (BASIC VERSION)



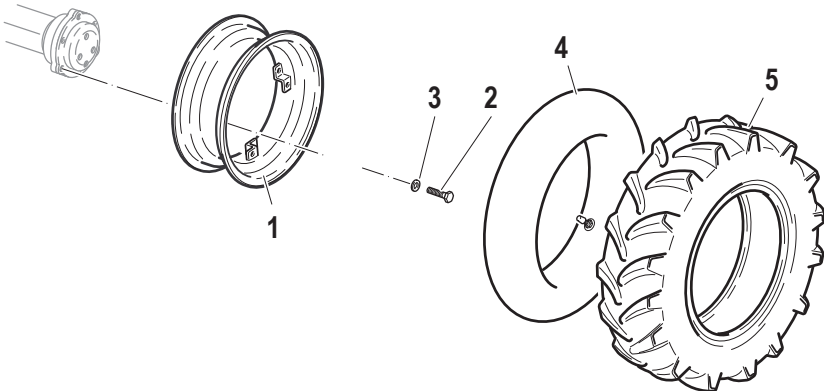
Pos.	Code	Q.ty	Description	Notes
1	565A1468	1	BARRA ATT.BRACCI SOLL.36-65	
2	F0844283020	2	SPACER D.38x22/22	
3	31112145	1	SCREW TE M8X10 UNI 5739 8G	
4	59073045	2	BOTTOM LINK	
5	58071998	2	ROD	
6	56074233	1	SUPPORT	
7	56074234	1	SUPPORT	
8	F0843843060	12	WASHER 12	
9	31112272	12	SCREW TE M12X30 UNI 5739	
10	581A3323	1	TIRANTE 3°PUNTO GM1-30-40DT	
11	58170449	1	RETAINING SPRING	
12	59070448	1	FIXING BRACKET	
13	31112150	2	SCREW TE M8X20 UNI 5739 8G	
14	F0843643060	2	WASHER 8	
15	58072626	2	ROD	
16	58072642	2	PIN	
17	F0851486000	9	SPLIT PIN	
18	31411190	2	WASHER 19x34	
19	56372086	2	PIN	
20	31411170	2	WASHER 17x30	
21	590A0728	1	TOW HOOK	
22	F0808060100	1	LATCH D.28X117	
23	F0851497000	1	SPLIT PIN	
24	56171789	1	SUPPORT	
25	56171788	4	SUPPORT	
26	56372067	1	PIN	
27	F0843755000	4	WASHER 10	
28	58072465	1	RETAINING SPRING	
29	31112211	4	SCREW TE M10X30 UNI 5739	
30	561A1469	2	DIST.D.38x22/30 ZNT/B	
31	56179825N	2	PIASTRA ATT.ATTR.55-65CV NERO	
32	56179896N	2	PIASTRA BARRA ATT.55-65CV-NERO	
33	F0843570000	4	WASHER 6	
34	31112093	4	SCREW TE M6X20 UNI 5739 8G	

SERIAL

3 POINTS ATTACHMENT (BASIC VERSION)

CODE REV

T.01.01.L40019_0



Pos.	Code	Q.ty	Description	Notes
1	592A0365	1	RIM	
2	F0864410500	3	SCREW M18X1,5/45 U/5740	
3	F0844150000	3	WASHER D.30x18,5/5	
4	F0848887000	1	INNER TUBE	
5	F0848635000	1	TYRE 7.50-16 8PR	

SPARE PARTS INSTANCE INDEX





SPARE PARTS INSTANCE INDEX

Code	Parts Table	Pos.	Q.ty	Code	Parts Table	Pos.	Q.ty	Code	Parts Table	Pos.	Q.ty
28177274	B.01.01.L40019_0	7	1	31112089	A.03.01.L40019_0	7	6	31112210	A.03.01.L40019_0	13	2
30000007	C.02.01.L40019_0	10	2	31112090	A.01.01.L40019_0	15	1		A.05.01.L40019_0	6	2
30000197	L.02.02.L40019_0	9	1		A.02.01.L40019_0	9	2	31112211	B.04.01.L40019_0	3	10
30000200	L.02.01.L40019_0	25	1		B.04.01.L40019_0	35	2		B.05.01.L40019_0	4	8
30000506	E.03.01.L40019_0	10	1	31112093	A.02.01.L40019_0	13	1		T.01.01.L40019_0	29	4
30000646	E.02.01.L40019_0	7	1		A.03.01.L40019_0	16	1	31112212	L.01.01.L40019_0	7	4
30010250	A.03.01.L40019_0	18	1		C.02.01.L40019_0	3	4	31112219	B.04.01.L40019_0	10	4
30021116	A.03.01.L40019_0	34	2		E.02.01.L40019_0	8	2		B.07.01.L40019_0	6	4
30021125	A.03.01.L40019_0	30	2		T.01.01.L40019_0	34	4		C.03.01.L40019_0	10	4
	L.02.02.L40019_0	12	2	31112145	T.01.01.L40019_0	3	1		D.05.01.L40019_0	3	2
30021145	L.02.02.L40019_0	7	6	31112146	L.02.01.L40019_0	7	1		F.01.01.L40019_0	6	6
30021150	A.03.01.L40019_0	21	4	31112148	A.02.01.L40019_0	3	2		L.01.01.L40019_0	3	6
30021180	A.04.01.L40019_0	8	3		A.05.01.L40019_0	10	2	31112223	B.04.01.L40019_0	33	1
30040005	L.01.01.L40019_0	9	1	31112149	A.04.01.L40019_0	3	1	31112224	A.05.01.L40019_0	5	2
30040035	C.01.01.L40019_0	10	1	31112150	A.01.01.L40019_0	18	2	31112264	B.05.01.L40019_0	24	4
30040095	B.03.01.L40019_0	22	4		B.01.01.L40019_0	9	6		C.01.01.L40019_0	6	14
31111084	B.07.01.L40019_0	17	4		B.01.01.L40019_0	28	1	31112270	L.02.02.L40019_0	17	2
31111089	B.07.01.L40019_0	33	4		B.02.01.L40019_0	19	5	31112272	B.01.01.L40019_0	2	10
31111090	D.06.01.L40019_0	21	2		B.03.01.L40019_0	21	10		B.03.01.L40019_0	3	8
31111091	B.02.01.L40019_0	5	6		B.05.01.L40019_0	31	4		T.01.01.L40019_0	9	12
	D.02.01.L40019_0	18	8		C.02.01.L40019_0	25	6	31112300	B.01.01.L40019_0	6	4
31111151	A.01.01.L40019_0	8	1		D.05.01.L40019_0	21	2	31112900	E.02.01.L40019_0	6	1
	A.03.01.L40019_0	23	4		D.13.02.L40019_0	3	2	31121006	B.08.01.L40019_0	4	2
	A.05.01.L40019_0	14	0		F.02.01.L40019_0	8	2	31121007	B.03.01.L40019_0	12	1
	B.02.01.L40019_0	24	2		T.01.01.L40019_0	13	2	31121014	B.08.01.L40019_0	2	2
	B.03.01.L40019_0	26	14	31112151	A.05.01.L40019_0	11	1	31122804	B.04.01.L40019_0	11	4
	B.04.01.L40019_0	22	3		B.01.01.L40019_0	15	1	31132562	A.02.01.L40019_0	7	2
	B.05.01.L40019_0	12	8		B.05.01.L40019_0	9	4		C.02.01.L40019_0	4	4
	L.01.01.L40019_0	20	2		B.08.01.L40019_0	19	1	31132566	B.09.01.L40019_0	16	4
	L.02.02.L40019_0	26	2		D.05.01.L40019_0	22	1	31152057	F.01.01.L40019_0	12	2
31112082	B.01.01.L40019_0	25	2	31112154	L.01.01.L40019_0	4	1		L.02.02.L40019_0	29	2
	B.04.01.L40019_0	21	5	31112155	B.08.01.L40019_0	18	1	31152060	F.01.01.L40019_0	3	4
	B.05.01.L40019_0	28	2	31112161	D.12.01.L40019_0	15	2		L.02.02.L40019_0	2	4
31112086	A.01.01.L40019_0	5	4	31112178	L.02.01.L40019_0	2	3	31152081	B.03.01.L40019_0	18	2



SPARE PARTS INSTANCE INDEX

Code	Parts Table	Pos.	Q.ty	Code	Parts Table	Pos.	Q.ty	Code	Parts Table	Pos.	Q.ty
31152085	D.12.01.L40019_0	14	2	31411064	B.05.01.L40019_0	21	6	35121030	D.06.01.L40019_0	11	1
31152088	B.02.01.L40019_0	2	2		B.08.01.L40019_0	5	2		D.13.01.L40019_0	2	1
31200501	A.04.01.L40019_0	6	1	31411066	B.05.01.L40019_0	36	8	35121031	D.02.01.L40019_0	9	2
31211040	B.07.01.L40019_0	19	4	31411084	B.01.01.L40019_0	12	4		D.06.01.L40019_0	1	1
31211050	B.07.01.L40019_0	35	4		B.02.01.L40019_0	22	9		D.13.01.L40019_0	13	1
	E.03.01.L40019_0	5	3		B.03.01.L40019_0	13	6	35121035	D.13.01.L40019_0	3	1
31211060	A.01.01.L40019_0	16	3		B.04.01.L40019_0	27	2	35121040	D.02.01.L40019_0	3	1
	A.02.01.L40019_0	15	1		B.05.01.L40019_0	13	10	35131026	D.05.01.L40019_0	10	1
	A.03.01.L40019_0	17	3		B.07.01.L40019_0	30	4		D.08.01.L40019_0	1	1
	B.05.01.L40019_0	34	8		B.08.01.L40019_0	3	2	35211060	B.02.01.L40019_0	29	1
	E.02.01.L40019_0	9	2		D.13.01.L40019_0	55	1	37111303	D.13.01.L40019_0	14	1
31211080	A.03.01.L40019_0	24	2	31411090	B.01.01.L40019_0	16	1	37111400	D.02.01.L40019_0	5	2
	A.05.01.L40019_0	15	8		B.04.01.L40019_0	13	4	37111460	D.02.01.L40019_0	19	1
	B.02.01.L40019_0	20	6	31411105	D.05.01.L40019_0	28	2	37112120	C.02.01.L40019_0	39	1
	B.03.01.L40019_0	27	6	31411130	D.04.01.L40019_0	11	2	37112249	C.02.01.L40019_0	33	1
	B.04.01.L40019_0	15	4		D.05.01.L40019_0	17	2	37120000	D.07.01.L40019_0	2	1
	B.05.01.L40019_0	11	16	31411150	D.05.01.L40019_0	25	1		D.08.01.L40019_0	13	1
	C.02.01.L40019_0	32	1	31411170	T.01.01.L40019_0	20	2	37120100	D.08.01.L40019_0	2	1
	D.01.01.L40019_0	2	1	31411190	T.01.01.L40019_0	18	2	37221300	D.01.01.L40019_0	10	2
	D.13.01.L40019_0	51	5	31413042	B.02.01.L40019_0	17	4	38112024	A.05.01.L40019_0	1,399999	1
	L.02.01.L40019_0	3	1	31421083	C.02.01.L40019_0	26	6	38112200	D.13.02.L40019_0	9	1
31211100	L.02.01.L40019_0	13	1	31450060	D.06.01.L40019_0	22	2	38112507	L.02.02.L40019_0	19	1
31221080	B.08.01.L40019_0	21	1	31480191	C.03.01.L40019_0	2	1	38112670	D.01.01.L40019_0	6	1
31231080	B.01.01.L40019_0	21	1	31510090	B.02.01.L40019_0	16	4	38112982	F.02.01.L40019_0	24	1
31231090	D.03.01.L40019_0	10	1	31510096	B.07.01.L40019_0	9	10	38116317	D.13.01.L40019_0	36	1
31231120	D.04.01.L40019_0	13	4	34211027	B.08.01.L40019_0	15	1	38117680	D.13.01.L40019_0	37	1
	D.05.01.L40019_0	19	2	34211028	B.08.01.L40019_0	13	1	38212006	D.10.01.L40019_0	1	1
31241080	B.01.01.L40019_0	17	1	34211054	D.13.02.L40019_0	5	1	38212503	D.02.01.L40019_0	23	1
31241081	B.01.01.L40019_0	29	1	35111042	D.10.01.L40019_0	2	2	41AE0000	A.01.01.L40019_0	1	1
	B.02.01.L40019_0	3	5	35111052	C.02.01.L40019_0	34	2	50972173	D.05.01.L40019_0	30	1
	B.03.01.L40019_0	15	1	35111063	D.01.01.L40019_0	11	2	50974166	D.06.01.L40019_0	17	1
31411064	A.02.01.L40019_0	14	1	35121014	D.02.01.L40019_0	21	1	51171603	C.03.01.L40019_0	5	1
	B.02.01.L40019_0	11	6	35121022	L.01.01.L40019_0	18	2	51171604	C.03.01.L40019_0	6	1
	B.03.01.L40019_0	33	6	35121025	C.02.01.L40019_0	29	2	51171621	D.09.01.L40019_0	26	1

SPARE PARTS INSTANCE INDEX

Code	Parts Table	Pos.	Q.ty	Code	Parts Table	Pos.	Q.ty	Code	Parts Table	Pos.	Q.ty
51172508	D.11.01.L40019_0	3	2	523A0166	C.02.01.L40019_0	21	2	52479154	D.06.01.L40019_0	6	1
	D.11.02.L40019_0	3	2	52471459	D.07.01.L40019_0	20	1	52479155	D.06.01.L40019_0	9	1
51179812	C.02.01.L40019_0	9	1	52471509	D.01.01.L40019_0	19	2	52479156	D.06.01.L40019_0	13	1
511A1363	L.01.01.L40019_0	1	1		D.10.01.L40019_0	8	2	52479157	D.07.01.L40019_0	25	1
511A2164	C.03.01.L40019_0	1	1	52471513	D.01.01.L40019_0	15	1	52479158	D.06.01.L40019_0	16	1
511A2198N	B.01.01.L40019_0	1	1		D.10.01.L40019_0	6	1	52479160	D.07.01.L40019_0	23	1
511A2265	C.01.01.L40019_0	1	1	52471516	D.01.01.L40019_0	16	1	52479161	D.08.01.L40019_0	12	1
511A2732	C.02.01.L40019_0	1	1		D.10.01.L40019_0	7	1	52479164	D.07.01.L40019_0	12	1
51271615	D.12.01.L40019_0	9	1	52472273	D.13.01.L40019_0	11	1	52479165	D.08.01.L40019_0	9	1
51271647	D.12.01.L40019_0	8	1	52472322	D.13.01.L40019_0	28	1	52479521	D.06.01.L40019_0	23	1
51272405	D.09.01.L40019_0	15	1	52472324	D.13.01.L40019_0	42	1	524A1191	D.13.01.L40019_0	30	1
51279318	D.09.01.L40019_0	16	1	52472325	D.13.01.L40019_0	9	1	524A1233	D.02.01.L40019_0	13	1
512A0109	C.03.01.L40019_0	7	1	52472342	D.13.01.L40019_0	27	1	524A2302	D.07.01.L40019_0	15	1
512A0110	C.03.01.L40019_0	8	1	52472430	D.13.02.L40019_0	11	1	524A2303	D.07.01.L40019_0	7	1
512A0909	C.01.01.L40019_0	2	1	52473001	D.13.01.L40019_0	39	1	524A2771	D.13.01.L40019_0	6	1
512A0910	C.01.01.L40019_0	3	1	52473721	D.07.01.L40019_0	19	1	52572605	D.10.01.L40019_0	16	1
51374866	D.01.01.L40019_0	20	1	52473789	D.07.01.L40019_0	6	0	52572606	D.10.01.L40019_0	15	1
	D.10.01.L40019_0	11	1	52473791	D.08.01.L40019_0	3	0	525A2727	D.02.01.L40019_0	1	1
52071702	D.02.01.L40019_0	17	4	52473796	D.07.01.L40019_0	17	1	53272293	D.13.01.L40019_0	17	1
52171744	D.02.01.L40019_0	20	1	52473812	D.07.01.L40019_0	6	0	53273000	D.13.01.L40019_0	38	1
52172158	C.02.01.L40019_0	23	0	52473813	D.07.01.L40019_0	6	0	55072935	B.05.01.L40019_0	32	4
52172159	C.02.01.L40019_0	23	0	52473815	D.08.01.L40019_0	3	0	55170047	D.04.01.L40019_0	9	2
52172160	C.02.01.L40019_0	23	0	52473920	D.11.01.L40019_0	4	2	55172608	C.02.01.L40019_0	28	2
52172161	C.02.01.L40019_0	23	0		D.11.02.L40019_0	4	2	55175174	B.04.01.L40019_0	6	6
52172162	C.02.01.L40019_0	23	0	52473921	D.11.01.L40019_0	12	6		B.05.01.L40019_0	7	8
52275923	D.09.01.L40019_0	12	1		D.11.02.L40019_0	12	6	551A1601	B.08.01.L40019_0	7	1
52275924	D.09.01.L40019_0	14	1	52473922	D.01.01.L40019_0	24	2	551A1602	B.08.01.L40019_0	6	2
522A1185	D.02.01.L40019_0	24	1		D.10.01.L40019_0	18	2	551A1603	D.09.01.L40019_0	3	3
52371679	D.13.02.L40019_0	10	1	52474190	D.13.01.L40019_0	1	1	55279802	B.02.01.L40019_0	7	1
52371733	D.02.01.L40019_0	26	1	52474239	D.08.01.L40019_0	3	0	55279803	B.02.01.L40019_0	8	1
52372292	D.13.01.L40019_0	22	1	52477986	D.08.01.L40019_0	6	1	55279804	B.03.01.L40019_0	23	1
52372343	D.12.01.L40019_0	1	1	52477987	D.08.01.L40019_0	3	1	55279805	B.03.01.L40019_0	24	1
52373177	D.05.01.L40019_0	18	2	52479152	D.08.01.L40019_0	14	1	55279806	B.05.01.L40019_0	14	1
52373240	D.09.01.L40019_0	13	1	52479153	D.08.01.L40019_0	7	1	55279807	B.05.01.L40019_0	15	1



SPARE PARTS INSTANCE INDEX

Code	Parts Table	Pos.	Q.ty	Code	Parts Table	Pos.	Q.ty	Code	Parts Table	Pos.	Q.ty
55279820	B.07.01.L40019_0	31	1	56172080	D.13.01.L40019_0	52	2	561A1188	D.02.01.L40019_0	15	4
55279823	B.07.01.L40019_0	8	1	56172163	C.02.01.L40019_0	12	2	561A1469	T.01.01.L40019_0	30	2
55279866	B.02.01.L40019_0	12	1	56172172	B.09.01.L40019_0	7,2	1	561A1576	D.09.01.L40019_0	30	3
55279867	B.02.01.L40019_0	13	1	56172561	L.02.01.L40019_0	6	1	561A2163Z	D.13.01.L40019_0	57	1
552A1549	D.13.02.L40019_0	6	1	56172749	F.02.01.L40019_0	1	1	561A2236	B.02.01.L40019_0	4	1
	L.02.01.L40019_0	12	2	56172759	F.02.01.L40019_0	7	1	561A2371N	B.03.01.L40019_0	10	1
552A2272	A.05.01.L40019_0	1	1	56172769	L.02.01.L40019_0	8	2	561A2685	B.08.01.L40019_0	11	1
56071768	A.02.01.L40019_0	2	2	56172770	L.02.01.L40019_0	10	1	561A2718Z	C.02.01.L40019_0	37	1
56074233	T.01.01.L40019_0	6	1	56172905	L.01.01.L40019_0	17	2	561A2740	D.02.01.L40019_0	7	1
56074234	T.01.01.L40019_0	7	1	56173016	D.13.02.L40019_0	12	2	561A2890	C.01.01.L40019_0	12	1
56077608	A.05.01.L40019_0	16	2	56173919	D.11.01.L40019_0	7	2	561A2954Z	A.01.01.L40019_0	2	1
56079984	B.02.01.L40019_0	31	1		D.11.02.L40019_0	7	2	561A2971	A.03.01.L40019_0	15	1
56079985	B.02.01.L40019_0	32	1	56174136	B.04.01.L40019_0	19	1	561A2972	A.03.01.L40019_0	6	6
56079986	B.02.01.L40019_0	33	1	56174137	B.04.01.L40019_0	18	1	561A3065F	B.04.01.L40019_0	24	1
56079987	B.02.01.L40019_0	35	1	56174365	B.05.01.L40019_0	29	1	561A3068	B.02.01.L40019_0	30	2
56079988	B.02.01.L40019_0	34	2	56174366	B.05.01.L40019_0	30	1	561A3069	B.01.01.L40019_0	24	1
560A0337	B.04.01.L40019_0	26	1	56174635	A.05.01.L40019_0	17	1	561A3070	B.01.01.L40019_0	27	1
560A0362	B.04.01.L40019_0	28	2	56174658	B.01.01.L40019_0	13	1	561A3106	A.02.01.L40019_0	19	2
560A1035	D.13.01.L40019_0	53	1	56174659	B.01.01.L40019_0	14	1	561A3181	A.01.01.L40019_0	4	1
56170017	L.01.01.L40019_0	5	1	56174835	B.02.01.L40019_0	28	1	561A3232Z	B.02.01.L40019_0	26	1
56170043	D.04.01.L40019_0	10	2	56176054	F.01.01.L40019_0	22	1	561A3233Z	B.02.01.L40019_0	25	1
56170226	C.02.01.L40019_0	19	1	56176696	A.05.01.L40019_0	18	3	561A3235N	B.04.01.L40019_0	30	1
56170350	L.02.02.L40019_0	22	2	56176814	A.05.01.L40019_0	20	3	561A3237F	A.05.01.L40019_0	13	1
56170413	F.02.01.L40019_0	13	1	56177045	B.03.01.L40019_0	34	4	561A3238	A.03.01.L40019_0	22	1
56171671	D.01.01.L40019_0	7	1	56177086	B.07.01.L40019_0	4	1	561A3239	L.02.02.L40019_0	5	1
56171672	D.01.01.L40019_0	9	1	56177656	B.01.01.L40019_0	20	1	561A3242	B.04.01.L40019_0	32	1
56171787	D.05.01.L40019_0	14	1	56179625	B.01.01.L40019_0	11	1	561A3246Z	A.02.01.L40019_0	8	1
56171788	T.01.01.L40019_0	25	4	56179825N	T.01.01.L40019_0	31	2	561A3247Z	A.02.01.L40019_0	12	1
56171789	T.01.01.L40019_0	24	1	56179896N	T.01.01.L40019_0	32	2	561A3248Z	A.02.01.L40019_0	10	1
56171936	D.05.01.L40019_0	4	1	56179997Z	B.02.01.L40019_0	15	4	561A3258	B.04.01.L40019_0	31	1
56171954	B.04.01.L40019_0	5	2	561A0025	B.05.01.L40019_0	33	2	561A3292	A.03.01.L40019_0	32	1
	B.05.01.L40019_0	6	8	561A0081	A.04.01.L40019_0	5	1	561A3318	A.03.01.L40019_0	31	1
56171996	B.04.01.L40019_0	12	4	561A0084	B.02.01.L40019_0	18	1	561A3391F	B.02.01.L40019_0	23	1
56172019	D.05.01.L40019_0	13	1	561A1007	B.07.01.L40019_0	32	1	56271457	D.07.01.L40019_0	22	1

SPARE PARTS INSTANCE INDEX

Code	Parts Table	Pos.	Q.ty	Code	Parts Table	Pos.	Q.ty	Code	Parts Table	Pos.	Q.ty
56276359	C.02.01.L40019_0	9,2	1	56371586	D.10.01.L40019_0	14,5	1	56379289	D.09.01.L40019_0	10	1
56276360	C.02.01.L40019_0	9,1	1	56371605	D.04.01.L40019_0	4	2	56379290	D.09.01.L40019_0	8	1
56349629	D.05.01.L40019_0	9	1	56371606	D.04.01.L40019_0	3	4	563A2120	D.13.01.L40019_0	25	1
56370018	D.09.01.L40019_0	27	6	56371613	D.12.01.L40019_0	10	1	563A3354	D.02.01.L40019_0	8	1
56370081	C.01.01.L40019_0	5	2	56371646	D.12.01.L40019_0	5	1	56470365	D.05.01.L40019_0	27	1
	D.11.01.L40019_0	14	2	56371652	D.07.01.L40019_0	1	1	56470797	D.05.01.L40019_0	15	2
	D.11.02.L40019_0	14	2	56371661	D.07.01.L40019_0	26	0	56471441	D.06.01.L40019_0	4	1
56370172	D.09.01.L40019_0	6	3	56371662	D.07.01.L40019_0	26	0	56471461	D.07.01.L40019_0	24	1
56370178	C.02.01.L40019_0	18	2	56371663	D.07.01.L40019_0	26	0	56471508	D.01.01.L40019_0	17	1
56370187	D.12.01.L40019_0	4	1	56371664	D.07.01.L40019_0	26	0		D.10.01.L40019_0	10	1
56370228	C.02.01.L40019_0	1,4	2	56371666	D.01.01.L40019_0	4	1	56471654	D.06.01.L40019_0	10	1
	L.01.01.L40019_0	6	1	56371667	D.01.01.L40019_0	12,2	0	56471655	D.07.01.L40019_0	4	1
56370583	D.12.01.L40019_0	11	1	56371668	D.01.01.L40019_0	12,3	0	56471665	D.01.01.L40019_0	5	1
56371440	D.06.01.L40019_0	3	2	56371669	D.01.01.L40019_0	12,4	0	56471709	D.04.01.L40019_0	7	2
56371551	D.02.01.L40019_0	14	1	56371670	D.01.01.L40019_0	12,1	0	56471813	D.03.01.L40019_0	5	1
56371575	D.11.01.L40019_0	5	0	56371708	D.04.01.L40019_0	6	2	56472368	D.13.01.L40019_0	32	1
	D.11.02.L40019_0	5	0	56371714	D.03.01.L40019_0	8	1	56472374	D.13.01.L40019_0	34,01	1
56371576	D.11.01.L40019_0	5	0	56371715	D.03.01.L40019_0	9	1	56472375	D.13.01.L40019_0	34,02	1
	D.11.02.L40019_0	5	0	56371994	D.01.01.L40019_0	18	1	56472376	D.13.01.L40019_0	34,03	1
56371577	D.11.01.L40019_0	5	0		D.10.01.L40019_0	9	1	56472377	D.13.01.L40019_0	47,1	1
	D.11.02.L40019_0	5	0	56372067	T.01.01.L40019_0	26	1	56472390	D.13.01.L40019_0	43	1
56371578	D.11.01.L40019_0	5	0	56372086	T.01.01.L40019_0	19	2	56475844	D.13.01.L40019_0	35	1
	D.11.02.L40019_0	5	0	56372474	F.02.01.L40019_0	26	1	56479697	D.06.01.L40019_0	26	1
56371579	D.11.01.L40019_0	5	0	56373349	D.11.01.L40019_0	5	0	564A2716	C.02.01.L40019_0	11	1
	D.11.02.L40019_0	5	0		D.11.02.L40019_0	5	0	564A2770	D.13.01.L40019_0	16	1
56371582	C.01.01.L40019_0	7	1	56373350	D.11.01.L40019_0	5	0	56571697	D.09.01.L40019_0	21	2
	D.10.01.L40019_0	14,1	1		D.11.02.L40019_0	5	0	56571785	L.01.01.L40019_0	12	1
56371583	C.01.01.L40019_0	7	1	56373440	D.07.01.L40019_0	26	0	56572623	D.01.01.L40019_0	22	1
	D.10.01.L40019_0	14,2	1	56373542	C.02.01.L40019_0	16	2	56572624	D.01.01.L40019_0	23	1
56371584	C.01.01.L40019_0	7	1	56374460	B.08.01.L40019_0	10	1	565A1468	T.01.01.L40019_0	1	1
	D.10.01.L40019_0	14,3	1	56375436	B.08.01.L40019_0	9	1	565A2288	C.02.01.L40019_0	27	1
56371585	C.01.01.L40019_0	7	1	56379286	D.09.01.L40019_0	9	1	571A3362	A.05.01.L40019_0	1,299999	1
	D.10.01.L40019_0	14,4	1	56379287	D.09.01.L40019_0	7	1	57370321	B.08.01.L40019_0	16	1
56371586	C.01.01.L40019_0	7	1	56379288	D.09.01.L40019_0	11	1	57371900	A.05.01.L40019_0	2	1

SPARE PARTS INSTANCE INDEX

Code	Parts Table	Pos.	Q.ty	Code	Parts Table	Pos.	Q.ty	Code	Parts Table	Pos.	Q.ty
57374338	B.04.01.L40019_0	16	1	58072398	D.13.01.L40019_0	29	4	580A0495	A.02.01.L40019_0	11	1
57374339	B.04.01.L40019_0	17	1	58072399	D.13.01.L40019_0	26	1	580A0503	F.01.01.L40019_0	25	1
573A0226	A.03.01.L40019_0	10	1	58072465	T.01.01.L40019_0	28	1	580A0504	F.01.01.L40019_0	27	1
573A0622	A.03.01.L40019_0	11	1	58072505	D.07.01.L40019_0	11	1	580A1015	B.06.01.L40019_0	28	1
573A2735	A.03.01.L40019_0	5	1		D.08.01.L40019_0	10	1	580A1016	B.06.01.L40019_0	14	1
573A3126V	B.02.01.L40019_0	27	1	58072510	B.06.01.L40019_0	24	1	580A1023	B.06.01.L40019_0	11	1
573A3140	B.08.01.L40019_0	1	1	58072511	B.06.01.L40019_0	18	1	580A1037	B.06.01.L40019_0	31	1
573A3257	F.01.01.L40019_0	30	1	58072573	B.06.01.L40019_0	22	1	580A1038	B.06.01.L40019_0	29	1
58024193	D.07.01.L40019_0	3	0	58072575	B.06.01.L40019_0	23	1	580A1039	B.06.01.L40019_0	15	1
58024194	D.07.01.L40019_0	3	0	58072626	T.01.01.L40019_0	15	2	580A1042	B.06.01.L40019_0	27	1
58024195	D.07.01.L40019_0	3	0	58072642	T.01.01.L40019_0	16	2	580A1121	B.06.01.L40019_0	8	1
58024196	D.07.01.L40019_0	3	0	58072951	A.03.01.L40019_0	33	1	580A1122	B.06.01.L40019_0	1	1
58048002	B.01.01.L40019_0	22	1	58073300	L.02.02.L40019_0	16	1	580A1123	B.06.01.L40019_0	2	1
58070164	D.09.01.L40019_0	5	3	58073788	D.06.01.L40019_0	18	1	580A1189	D.02.01.L40019_0	16	8
58070168	D.09.01.L40019_0	25	3	58074092	D.13.01.L40019_0	24	1	580A1227	F.02.01.L40019_0	30	1
58070169	D.09.01.L40019_0	2	3	58074109	D.07.01.L40019_0	3	0	580A1580	B.06.01.L40019_0	20	1
58070198	D.12.01.L40019_0	7	1	58074558	F.02.01.L40019_0	33	1	580A1581	B.06.01.L40019_0	19	1
58070205	D.12.01.L40019_0	13	1	58074831	B.01.01.L40019_0	18	1	580A1583	B.06.01.L40019_0	21	1
58070366	D.04.01.L40019_0	12	2	58074841	B.06.01.L40019_0	25	1	580A1605	B.06.01.L40019_0	30	1
58070373	D.05.01.L40019_0	11	1	58074880	B.06.01.L40019_0	16	1	580A1606	B.06.01.L40019_0	32	1
58070390	B.08.01.L40019_0	12	1	58075372	L.02.01.L40019_0	24	1	580A1607	B.06.01.L40019_0	33	1
58070741	D.09.01.L40019_0	24	5	58076077	B.06.01.L40019_0	13	1	580A1608	B.06.01.L40019_0	26	2
	D.13.02.L40019_0	7	1	58076752	A.05.01.L40019_0	19	3	580A1609	B.06.01.L40019_0	34	4
58071534	L.01.01.L40019_0	16	2	58076753	A.04.01.L40019_0	7	1	580A2134	B.07.01.L40019_0	14	2
58071790	C.01.01.L40019_0	8	1	58077047	B.06.01.L40019_0	17	1	580A2171	B.06.01.L40019_0	7	1
	D.02.01.L40019_0	22	1	58077305	E.03.01.L40019_0	11	1	580A2179	B.06.01.L40019_0	9	1
58071793	C.02.01.L40019_0	1,1	1	58079929	B.02.01.L40019_0	9	4	580A2180	B.06.01.L40019_0	4	2
58071794	C.02.01.L40019_0	1,2	1		B.03.01.L40019_0	31	4	580A2282	E.02.01.L40019_0	3	1
58071805	L.01.01.L40019_0	8	1		B.05.01.L40019_0	19	4	580A2365	B.03.01.L40019_0	17	1
58071998	T.01.01.L40019_0	5	2	58093053	A.03.01.L40019_0	26	1	580A2686	B.08.01.L40019_0	14	1
58072138	L.02.01.L40019_0	15	2	580A0233	B.06.01.L40019_0	6	2	580A2744	E.02.01.L40019_0	15	1
58072269	L.02.01.L40019_0	29	1	580A0478	E.01.01.L40019_0	1	1	580A2750	E.03.01.L40019_0	1	1
58072382	D.13.01.L40019_0	33	5	580A0479	E.01.01.L40019_0	6	2	580A2752	A.04.01.L40019_0	9	1
58072389	D.13.01.L40019_0	23	1	580A0481	E.03.01.L40019_0	7	1	580A2753	A.03.01.L40019_0	20	1



SPARE PARTS INSTANCE INDEX

Code	Parts Table	Pos.	Q.ty	Code	Parts Table	Pos.	Q.ty	Code	Parts Table	Pos.	Q.ty
580A2754	A.03.01.L40019_0	19	1	58172012	L.02.01.L40019_0	1,299999	1	58176743	E.01.01.L40019_0	5	4
580A2757	E.03.01.L40019_0	6	1	58172043	B.07.01.L40019_0	24	1	58177087	B.07.01.L40019_0	3	1
580A2800	A.03.01.L40019_0	29	1	58172155	C.02.01.L40019_0	30	1	58177111	B.01.01.L40019_0	19	1
580A2870	B.06.01.L40019_0	5	2	58172304	L.02.01.L40019_0	1,100000	1	58177268	B.07.01.L40019_0	21.1	1
580A2895	B.06.01.L40019_0	3	2	58172351	D.13.01.L40019_0	41	17	58177330	E.03.01.L40019_0	14	2
580A3035	E.02.01.L40019_0	4	1	58172400	D.13.01.L40019_0	18	1	58177722	B.09.01.L40019_0	1	1
580A3036	E.02.01.L40019_0	5	1	58172402	D.13.01.L40019_0	19	1	58178953	F.01.01.L40019_0	1	1
580A3133	B.06.01.L40019_0	12	1	58172447	D.13.01.L40019_0	20	5	58178960	D.05.01.L40019_0	24	1
580A3266	A.02.01.L40019_0	17	1	58172448	D.13.01.L40019_0	21	5	58179169	D.07.01.L40019_0	8	33
580A3267	A.02.01.L40019_0	18	1	58172463	F.02.01.L40019_0	2	2	58179811	C.02.01.L40019_0	1,3	5
580A3277	L.02.02.L40019_0	13	1	58172489	L.02.01.L40019_0	1,399999	1	58179928	D.06.01.L40019_0	7	1
580A3278	F.02.01.L40019_0	34	1	58172571	D.08.01.L40019_0	11	1	58192377	B.09.01.L40019_0	3	1
580A3279	F.01.01.L40019_0	15	1	58173116	B.07.01.L40019_0	22.1	1	581A0071	E.01.01.L40019_0	2	2
580A3282	F.01.01.L40019_0	16	1	58173119	B.07.01.L40019_0	21.2	2	581A0108	C.03.01.L40019_0	3	1
580A3317	B.07.01.L40019_0	25	1	58173120	B.07.01.L40019_0	21.3	1	581A0988	E.01.01.L40019_0	8	2
58170077	C.02.01.L40019_0	15	2	58173121	B.07.01.L40019_0	22.3	1	581A1060	B.06.01.L40019_0	10	1
58170195	D.12.01.L40019_0	3	2	58173345	B.07.01.L40019_0	16	1	581A1577	D.09.01.L40019_0	1	3
58170238	A.05.01.L40019_0	22	1	58173399	F.01.01.L40019_0	32	1	581A2199	A.03.01.L40019_0	1	1
58170352	L.02.02.L40019_0	21	1	58173506	L.02.02.L40019_0	23	1	581A2213N	A.01.01.L40019_0	7	1
58170449	T.01.01.L40019_0	11	1	58173543	L.02.02.L40019_0	15	1	581A2235	A.04.01.L40019_0	1	1
58170866	B.03.01.L40019_0	16	1	58173767	B.07.01.L40019_0	10	8	581A2264	C.01.01.L40019_0	15	1
58170930	F.01.01.L40019_0	26	1	58173790	D.07.01.L40019_0	5	1	581A2277	C.02.01.L40019_0	24	1
58171558	D.02.01.L40019_0	11	7		D.08.01.L40019_0	4	2	581A2292	D.01.01.L40019_0	1	1
58171559	D.02.01.L40019_0	12	6	58173792	D.08.01.L40019_0	5	2	581A2789	A.03.01.L40019_0	2	1
58171567	D.11.01.L40019_0	10	12	58173797	D.07.01.L40019_0	18	1	581A2790	A.03.01.L40019_0	3	2
	D.11.02.L40019_0	10	12	58174019	F.01.01.L40019_0	31	1	581A2791	A.03.01.L40019_0	4	1
58171596	D.03.01.L40019_0	2	2	58175014	A.01.01.L40019_0	17	1	581A2792	A.03.01.L40019_0	12	2
	D.05.01.L40019_0	2	2	58175700	B.07.01.L40019_0	26	1	581A2798	L.02.02.L40019_0	1	1
58171653	D.11.01.L40019_0	11	120	58175937	D.07.01.L40019_0	10	1	581A2799	F.01.01.L40019_0	2	1
	D.11.02.L40019_0	11	120	58176395	E.01.01.L40019_0	3	2	581A2805	A.01.01.L40019_0	11	1
58171706	D.04.01.L40019_0	1	2	58176396	E.03.01.L40019_0	8	2	581A2889	A.01.01.L40019_0	19	1
58171707	D.04.01.L40019_0	2	4	58176406	E.01.01.L40019_0	7	4	581A3052	B.07.01.L40019_0	11	1
58171861	L.01.01.L40019_0	11	2		E.03.01.L40019_0	9	4	581A3216	A.01.01.L40019_0	3	1
58172011	L.02.01.L40019_0	1,200000	1	58176593	B.07.01.L40019_0	28	1	581A3323	T.01.01.L40019_0	10	1

SPARE PARTS INSTANCE INDEX

Code	Parts Table	Pos.	Q.ty	Code	Parts Table	Pos.	Q.ty	Code	Parts Table	Pos.	Q.ty
59070448	T.01.01.L40019_0	12	1	59075936	D.06.01.L40019_0	20	1	590A2942	A.05.01.L40019_0	4	1
59070592	B.05.01.L40019_0	37	1	59076685F	A.05.01.L40019_0	21	1	590A2945F	A.05.01.L40019_0	3	1
59071241	B.09.01.L40019_0	13	1	59076690	B.03.01.L40019_0	5	2	590A2979	D.09.01.L40019_0	19	1
59071518	D.01.01.L40019_0	21	1	59077242	E.03.01.L40019_0	12	1	590A2980	D.09.01.L40019_0	20	1
	D.10.01.L40019_0	12	1	59078588	L.01.01.L40019_0	21	1	590A2981	D.09.01.L40019_0	18	1
59071640	D.03.01.L40019_0	7	1	59079172	C.03.01.L40019_0	9	1	590A3196	F.01.01.L40019_0	5	1
59071724	D.05.01.L40019_0	1	1	59079844	B.03.01.L40019_0	1	1	590A3221	L.02.02.L40019_0	8	1
59071769	A.02.01.L40019_0	1	1	59079845	B.03.01.L40019_0	2	1	590A3223	L.02.02.L40019_0	28	1
59071771	L.01.01.L40019_0	14	1	590A0013	F.01.01.L40019_0	8	1	590A3275	L.02.02.L40019_0	18	1
59071783	L.01.01.L40019_0	13	1	590A0057	B.05.01.L40019_0	16	1	590A3303F	B.01.01.L40019_0	8	1
59072057	L.02.01.L40019_0	5	1	590A0058	B.05.01.L40019_0	17	1	590A3388	A.05.01.L40019_0	8	1
59072114	B.05.01.L40019_0	23	1	590A0059	B.05.01.L40019_0	22	1	59271011	F.02.01.L40019_0	3	1
59072167	D.05.01.L40019_0	8	1	590A0080	A.04.01.L40019_0	2	1	59271720	D.02.01.L40019_0	6	1
59072169	D.05.01.L40019_0	6	1	590A0569	L.02.02.L40019_0	20	1	59273944	D.11.01.L40019_0	9	2
59072754	D.13.02.L40019_0	1	1	590A0695	B.08.01.L40019_0	8	1		D.11.02.L40019_0	9	2
59072761	D.13.02.L40019_0	4	1	590A0698	B.08.01.L40019_0	17	1	59276030	D.13.01.L40019_0	47	1
59072779	F.02.01.L40019_0	16	1	590A0728	T.01.01.L40019_0	21	1	592A0365	W.01.01.L40019_0	1	1
59072780	F.02.01.L40019_0	14	1	590A0848	B.03.01.L40019_0	29	1	592A1187	D.02.01.L40019_0	10	1
59072783	F.02.01.L40019_0	15	1	590A0849	B.03.01.L40019_0	28	1	59379589	F.02.01.L40019_0	29	1
59072788	F.02.01.L40019_0	12	1	590A1645	L.01.01.L40019_0	19	2	593A2290	D.01.01.L40019_0	13	1
59073045	T.01.01.L40019_0	4	2	590A1992V	B.03.01.L40019_0	19	1	593A2730	D.10.01.L40019_0	4	1
59073160	L.02.01.L40019_0	31	1	590A1993V	B.03.01.L40019_0	20	1	59900152	B.09.01.L40019_0	15	1
59074248	B.05.01.L40019_0	3	2	590A2220V	B.02.01.L40019_0	1	1	59900153	B.09.01.L40019_0	9	1
59074262	B.04.01.L40019_0	1	1	590A2254N	B.03.01.L40019_0	4	1	59900154	B.09.01.L40019_0	8	4
59074263	B.04.01.L40019_0	2	1	590A2372N	B.03.01.L40019_0	11	1	59900155	B.09.01.L40019_0	7,1	1
59074326	B.04.01.L40019_0	8	1	590A2721	B.01.01.L40019_0	30	1	59900156	B.09.01.L40019_0	6	1
59074327	B.04.01.L40019_0	9	1	590A2784N	A.01.01.L40019_0	10	1	59900157	B.09.01.L40019_0	11	1
59075386	L.02.01.L40019_0	26	1	590A2803	B.01.01.L40019_0	4	1	59900158	B.09.01.L40019_0	10	18
59075443	D.05.01.L40019_0	20	1	590A2804	B.01.01.L40019_0	3	1	59900159	B.09.01.L40019_0	5	1
59075446	D.05.01.L40019_0	29	2	590A2807	A.01.01.L40019_0	12	1	59900160	B.09.01.L40019_0	12	1
59075711	C.02.01.L40019_0	35	1	590A2810N	A.01.01.L40019_0	13	1	59900161	B.09.01.L40019_0	14	1
59075712	C.02.01.L40019_0	36	1	590A2905N	D.03.01.L40019_0	1	1	59900178	F.01.01.L40019_0	31,01000	1
59075765N	B.05.01.L40019_0	26	1	590A2918V	B.05.01.L40019_0	1	1	59900247	F.01.01.L40019_0	31,02000	1
59075766	B.05.01.L40019_0	27	1	590A2919V	B.05.01.L40019_0	2	1	59901049	B.09.01.L40019_0	4	1

SPARE PARTS INSTANCE INDEX

Code	Parts Table	Pos.	Q.ty	Code	Parts Table	Pos.	Q.ty	Code	Parts Table	Pos.	Q.ty
59901050	B.09.01.L40019_0	2	1	F0803186000	D.13.01.L40019_0	45	1	F0814647000	C.02.01.L40019_0	8	6
59901507	E.02.01.L40019_0	12	1	F0803199010	F.02.01.L40019_0	31	1	F0814695000	C.03.01.L40019_0	4	14
59901597	E.02.01.L40019_0	7,1	1	F0803209000	D.12.01.L40019_0	2	1	F0814794000	B.03.01.L40019_0	9	2
F0190018909	E.02.01.L40019_0	2	1	F0803210020	C.01.01.L40019_0	13	1	F0814797000	D.13.01.L40019_0	46	1
F0256112009	A.03.01.L40019_0	35	0.7	F0806533000	D.05.01.L40019_0	7	1	F0817500470	D.09.01.L40019_0	4	3
F0256612913	L.02.02.L40019_0	11	0	F0808060100	T.01.01.L40019_0	22	1	F0817640003	D.09.01.L40019_0	29	3
F0256808000	A.05.01.L40019_0	9	0.26	F0810510000	A.03.01.L40019_0	28	3	F0819180080	D.02.01.L40019_0	25	2
	B.04.01.L40019_0	20	1		D.03.01.L40019_0	6	1	F0822537050	D.03.01.L40019_0	3	1
F0256809050	A.03.01.L40019_0	9	0.87		D.04.01.L40019_0	8	2		D.05.01.L40019_0	12	1
F0801095000	D.05.01.L40019_0	26	2		D.05.01.L40019_0	16	4	F0824022000	A.03.01.L40019_0	27	3
F0801156050	D.06.01.L40019_0	25	2	F0812525100	D.13.01.L40019_0	5	1		F.01.01.L40019_0	14	1
F0801175050	D.01.01.L40019_0	25	2	F0812578050	D.06.01.L40019_0	24	2	F0824110000	F.01.01.L40019_0	19	2
	D.10.01.L40019_0	17	4	F0812599090	D.13.01.L40019_0	7	1		F.02.01.L40019_0	18	2
F0801264050	D.13.01.L40019_0	8	2	F0812631000	D.10.01.L40019_0	3	1		L.02.01.L40019_0	14	12
	L.01.01.L40019_0	15	2	F0812686100	D.07.01.L40019_0	14	1		L.02.02.L40019_0	10	3
F0801266000	D.06.01.L40019_0	14	4	F0812732080	D.07.01.L40019_0	16	1	F0824113000	C.01.01.L40019_0	11	1
F0801266050	D.06.01.L40019_0	8	2	F0812736010	D.06.01.L40019_0	15	1	F0824141000	F.01.01.L40019_0	24	8
F0801280100	D.07.01.L40019_0	9	1		D.13.01.L40019_0	15	1		L.02.01.L40019_0	19	2
F0801282000	L.02.01.L40019_0	21	4	F0812737000	D.06.01.L40019_0	5	3	F0824185000	L.02.02.L40019_0	25	2
F0801331050	C.02.01.L40019_0	38	1	F0812747000	C.02.01.L40019_0	14	2	F0825115010	B.07.01.L40019_0	20	1
	D.06.01.L40019_0	19	1	F0812750000	D.06.01.L40019_0	2	1	F0825139000	B.07.01.L40019_0	27	1
F0801346000	D.11.01.L40019_0	6	2	F0812810101	D.07.01.L40019_0	2	2	F0825400060	B.07.01.L40019_0	15	1
	D.11.02.L40019_0	6	2	F0812810102	D.07.01.L40019_0	2	2	F0825403050	B.07.01.L40019_0	23	1
F0801346200	D.06.01.L40019_0	12	1	F0812849100	D.13.01.L40019_0	4	3	F0825414000	B.05.01.L40019_0	18	1
F0801408000	D.02.01.L40019_0	4	4	F0812871030	D.07.01.L40019_0	21	2	F0825417000	E.02.01.L40019_0	11	1
F0802187050	D.02.01.L40019_0	2	1	F0812895000	C.01.01.L40019_0	9	2	F0825438000	E.03.01.L40019_0	3	1
F0802190010	D.01.01.L40019_0	8	1		D.10.01.L40019_0	13	2	F0825480100	E.02.01.L40019_0	1	1
	D.13.01.L40019_0	12	1	F0812918050	D.07.01.L40019_0	13	1	F0825493000	E.03.01.L40019_0	2	1
F0802700150	D.11.01.L40019_0	1	2		D.08.01.L40019_0	8	1	F0825500200	B.07.01.L40019_0	12	1
	D.11.02.L40019_0	1	2	F0812973000	D.11.01.L40019_0	2	4	F0825500210	B.07.01.L40019_0	13	1
F0803072050	F.02.01.L40019_0	23	1		D.11.02.L40019_0	2	4	F0825809000	F.01.01.L40019_0	10	1
F0803185000	F.01.01.L40019_0	11	1	F0814547000	B.02.01.L40019_0	10	4	F0825980030	L.02.01.L40019_0	20	2
	L.02.02.L40019_0	4	3		B.03.01.L40019_0	32	12	F0826056000	C.02.01.L40019_0	13	2
F0803186000	D.04.01.L40019_0	5	4		B.05.01.L40019_0	20	4		L.01.01.L40019_0	2	1

SPARE PARTS INSTANCE INDEX

Code	Parts Table	Pos.	Q.ty	Code	Parts Table	Pos.	Q.ty	Code	Parts Table	Pos.	Q.ty
F0831065000	B.01.01.L40019_0	23	1	F0843570000	E.02.01.L40019_0	10	2	F0843818000	B.04.01.L40019_0	7	6
F0831125000	A.02.01.L40019_0	5	1		F.01.01.L40019_0	4	4		B.05.01.L40019_0	8	8
F0831139000	D.03.01.L40019_0	4	1		F.02.01.L40019_0	6	2	F0843841000	F.01.01.L40019_0	9	1
F0835023000	L.02.01.L40019_0	23	3		L.02.02.L40019_0	3	9		F.02.01.L40019_0	10	1
F0835040020	L.02.01.L40019_0	18	4		T.01.01.L40019_0	33	4	F0843843060	B.01.01.L40019_0	5	8
F0835040030	F.01.01.L40019_0	21	2	F0843641000	D.13.01.L40019_0	49	1		B.05.01.L40019_0	25	4
F0838166018	D.13.01.L40019_0	50	5		F.02.01.L40019_0	27	1		T.01.01.L40019_0	8	12
F0838475000	C.02.01.L40019_0	7	2	F0843643060	A.01.01.L40019_0	9	3	F0843907000	F.02.01.L40019_0	20	15
F0838535050	C.02.01.L40019_0	6	4		A.02.01.L40019_0	4	4		L.02.01.L40019_0	17	6
F0838660000	C.03.01.L40019_0	11	8		A.03.01.L40019_0	25	4	F0843948000	F.01.01.L40019_0	29	4
F0838660100	C.03.01.L40019_0	12	6		A.04.01.L40019_0	4	1		F.02.01.L40019_0	4	1
F0840563000	L.02.02.L40019_0	24	2		A.05.01.L40019_0	12	5	F0844150000	W.01.01.L40019_0	3	3
F0842505030	F.01.01.L40019_0	17	1		B.01.01.L40019_0	10	4	F0844200050	F.02.01.L40019_0	25	1
F0842512000	F.01.01.L40019_0	20	2		B.02.01.L40019_0	21	4	F0844273090	C.01.01.L40019_0	4	2
F0842519050	L.02.01.L40019_0	30	1		B.03.01.L40019_0	14	10		D.11.01.L40019_0	15	2
F0843102050	F.02.01.L40019_0	32	1		B.04.01.L40019_0	14	9		D.11.02.L40019_0	15	2
F0843107000	F.02.01.L40019_0	19	5		B.05.01.L40019_0	10	18	F0844283020	T.01.01.L40019_0	2	2
	L.02.01.L40019_0	16	4		B.08.01.L40019_0	20	1	F0847434000	D.09.01.L40019_0	23	5
F0843109000	F.01.01.L40019_0	28	2		D.05.01.L40019_0	23	2		D.13.02.L40019_0	8	1
F0843109020	F.01.01.L40019_0	18	1		D.13.01.L40019_0	56	2	F0848635000	W.01.01.L40019_0	5	1
	F.02.01.L40019_0	17	1		D.13.02.L40019_0	2	2	F0848887000	W.01.01.L40019_0	4	1
	L.02.01.L40019_0	28	4		F.02.01.L40019_0	9	2	F0849500001	A.05.01.L40019_0	1,100000	1
	L.02.02.L40019_0	14	1		L.02.01.L40019_0	4	3	F0849500002	A.05.01.L40019_0	1,200000	1
F0843116000	F.01.01.L40019_0	23	3		L.02.02.L40019_0	27	2	F0851018000	D.13.01.L40019_0	40	2
F0843526000	B.07.01.L40019_0	18	4		T.01.01.L40019_0	14	2	F0851180000	D.09.01.L40019_0	17	5
	F.02.01.L40019_0	22	1	F0843755000	A.03.01.L40019_0	14	2	F0851226000	D.13.01.L40019_0	31	1
F0843561000	B.07.01.L40019_0	34	4		A.05.01.L40019_0	7	4	F0851260000	D.12.01.L40019_0	12	1
F0843570000	A.01.01.L40019_0	6	7		B.04.01.L40019_0	4	10	F0851267050	D.12.01.L40019_0	6	1
	A.02.01.L40019_0	16	1		B.05.01.L40019_0	5	8	F0851486000	L.01.01.L40019_0	22	1
	A.03.01.L40019_0	8	9		B.07.01.L40019_0	7	4		T.01.01.L40019_0	17	9
	B.01.01.L40019_0	26	2		D.05.01.L40019_0	5	4	F0851497000	B.01.01.L40019_0	31	1
	B.02.01.L40019_0	6	4		F.01.01.L40019_0	7	6		T.01.01.L40019_0	23	1
	B.04.01.L40019_0	23	8		T.01.01.L40019_0	27	4	F0852538020	F.02.01.L40019_0	11	1
	B.05.01.L40019_0	35	8	F0843771000	F.02.01.L40019_0	21	2	F0852550100	L.02.01.L40019_0	22	2

SPARE PARTS INSTANCE INDEX

Code	Parts Table	Pos.	Q.ty
F0852550200	L.02.01.L40019_0	11	3
F0852550210	L.02.01.L40019_0	9	1
F0852550240	D.13.02.L40019_0	13	1
F0852578060	D.13.01.L40019_0	30,1	2
F0861830100	B.02.01.L40019_0	14	4
	B.03.01.L40019_0	35	8
F0861831000	B.03.01.L40019_0	30	6
F0861867050	A.05.01.L40019_0	23	6
	E.01.01.L40019_0	4	16
F0861929060	D.13.01.L40019_0	58	2
F0861941000	E.03.01.L40019_0	4	3
F0861972000	C.01.01.L40019_0	14	3
F0862090000	D.11.01.L40019_0	8	6
	D.11.02.L40019_0	8	6
F0862345000	F.02.01.L40019_0	5	2
	L.02.02.L40019_0	6	5
F0862448100	D.13.01.L40019_0	48	1
	F.02.01.L40019_0	28	1
F0862462010	F.01.01.L40019_0	13	1
F0862473050	D.13.01.L40019_0	44	1
F0862479020	B.03.01.L40019_0	25	4
	B.07.01.L40019_0	29	4
F0862479034	B.04.01.L40019_0	25	1
F0862479040	A.01.01.L40019_0	14	2
F0862593050	C.02.01.L40019_0	31	1
F0862655000	D.11.01.L40019_0	13	6
	D.11.02.L40019_0	13	6
F0862657000	D.01.01.L40019_0	3	1
F0862694000	D.09.01.L40019_0	28	4
F0863079000	B.04.01.L40019_0	29	2
F0863105000	D.09.01.L40019_0	22	2
F0863267050	C.02.01.L40019_0	22	8
	D.01.01.L40019_0	14	8
	D.10.01.L40019_0	5	8

Code	Parts Table	Pos.	Q.ty
F0863359000	C.02.01.L40019_0	5	2
F0863566000	B.04.01.L40019_0	34	1
F0864377000	B.03.01.L40019_0	8	2
F0864410500	W.01.01.L40019_0	2	3
F0865040000	B.07.01.L40019_0	1	1
F0865040020	B.07.01.L40019_0	2	1
P238105000000	B.07.01.L40019_0	5	1
P238106000000	A.02.01.L40019_0	6	1
P241171000000	L.02.01.L40019_0	27	1
P439149000000	B.03.01.L40019_0	7	2
P453524010000	D.04.01.L40019_0	14	2
P470330000000	D.13.01.L40019_0	10	1
P470433000000	D.13.01.L40019_0	54	1
P917280000000	B.03.01.L40019_0	6	2